

RINGLOCK CATALOG

AUSTRALIA

TABLE OF CONTENTS

INTRODUCTION

INTRODUCTION TO AT-PAC.....	5
-----------------------------	---

QUALITY ENGINEERED

ENGINEERED WITH CONSISTENT QUALITY	6
PRODUCT TRACEABILITY	7

RINGLOCK OVERVIEW

RINGLOCK NODE CONNECTION	8
TO MAKE A CONNECTION	8
COMPONENT IDENTIFICATION	9
COLOUR CODED COMPONENTS	10

RINGLOCK BASE

SCREWJACK / BASE JACK.....	11
SWIVELJACK.....	12
SOLID SCREW JACK FOR CASTOR	13
CASTOR 8" HD.....	14
CASTOR 12"	15
ADAPTER FOR 12" CASTOR.....	16
STARTER/BASE COLLAR	17

RINGLOCK STANDARDS

STANDARD WITH CRIMPED SPIGOT	18
------------------------------------	----

RINGLOCK LEDGERS

LEDGER O-TYPE.....	19
TRUSS LEDGER O-TYPE.....	20

RINGLOCK TRANSOMS

MID TRANSOM O-TYPE.....	21
VERTICAL MID TRANSOM 0.5M BOLT	22
LEDGER TO PLANK TRANSOM O-TYPE	23
PLANK TO PLANK TRANSOM O-TYPE	24

TABLE OF CONTENTS

RINGLOCK BRACKETS

STEP DOWN BRACKET.....	25
SIDE/HOP-UP O-TYPE.....	26
SIDE/CONSOLE BRACKET O-TYPE	27

RINGLOCK BRACES

DIAGONAL BAY BRACE 2.0M LIFT	28
SWIVEL CLAMP BRACE.....	29

WORK PLATFORMS

INTERLOCKING TOEBOARD O-TYPE	30
TOEBOARD RETAINING CLAMP	31
STEEL PLANK O-TYPE 240mm.....	32
INFILL PLANK.....	33

ACCESS & EGRESS

INTRODUCTION TO STAIR PLATFORMS	34
ALUMINUM STAIR PLATFORM O-TYPE	35
ALUMINUM STAIR INNER GUARDRAIL	36
ALUMINUM STAIR INNER EXTENDED GUARDRAIL	37
ALUMINUM STAIR OUTER GUARDRAIL	38
ALUMINUM LADDER.....	39
STAIR STRINGER.....	40
STAIR TREAD	41
HANDRAIL FOR STEEL STAIR SYSTEM	42
GUARDRAIL STANDARD “CRAZY LEG”	43
LADDER ACCESS TRANSOM.....	44
ADJUSTABLE SWING GATE.....	45

GIRDERS

LATTICE GIRDER, NO SPIGOT 500mm	46
SPIGOT ADAPTER CLAMP FOR GIRDERS	47
ALUMINUM LATTICE GIRDER/BEAM	48
ALUMINUM LATTICE BEAM GIRDER ADAPTER	49

TABLE OF CONTENTS

RINGLOCK ACCESSORIES

ROSETTE CLAMP	50
LEG LOCK (SUSPENDED SCAFFOLD)	51
DAVIT ARM.....	52
SPIGOT ADAPTER CLAMP.....	53
SWIVEL ADAPTER CLAMP	54
BEAM CLAMP RIGID	55
BEAM CLAMP SWIVEL.....	56
PIG TAIL PIN.....	57
TOGGLE PIN.....	58
SCAFFOLD CAGE INSERT	59
SCAFFOLD RACK	60

RINGLOCK CERTIFICATION

COMPONENT CAPACITIES - SAFE WORKING LOADS	62
-------------------------------------------------	----

INTRODUCTION

INTRODUCTION TO AT-PAC



COMPLETE SCAFFOLDING SOLUTIONS

Since 1995, AT-PAC has offered Complete Scaffolding Solutions to our strategic clients throughout the world, matching our expertise to the specific needs of our customers. AT-PAC comes with 20 years of experience in the industrial market and specializes in Oil, Gas & Chemicals, Power & Energy and Mining & Refining projects. AT-PAC prides itself on building long term and sustainable relationships with both our customers and team members and distributes only the highest quality products by ensuring that our production process adheres to our rigorous quality assurance program and quality control.

AT-PAC is headquartered in the USA and extends its Global footprint with branches in North America, Australia, South America and the United Kingdom. We currently supply Scaffolding Supply and Service Solutions on 6 continents. Our unparalleled expertise and professionalism enables us to consistently deliver Complete Scaffolding Solutions to our customers. AT-PAC has an experienced customer-driven team who provide seamless service from product development, supply chain management, production, quality control, delivery and local engineering support available for fast, effective solutions.

AT-PAC Ringlock is a modular system scaffold which enables users to quickly and efficiently erect, use and dismantle temporary work structures. The AT-PAC Ringlock system conforms to Australian standards AS/NZS 1576 and other international standards as shown below..



QUALITY ENGINEERED

ENGINEERED WITH CONSISTENT QUALITY



All AT-PAC Ringlock products are engineered to meet the highest quality standards based on three simple factors:

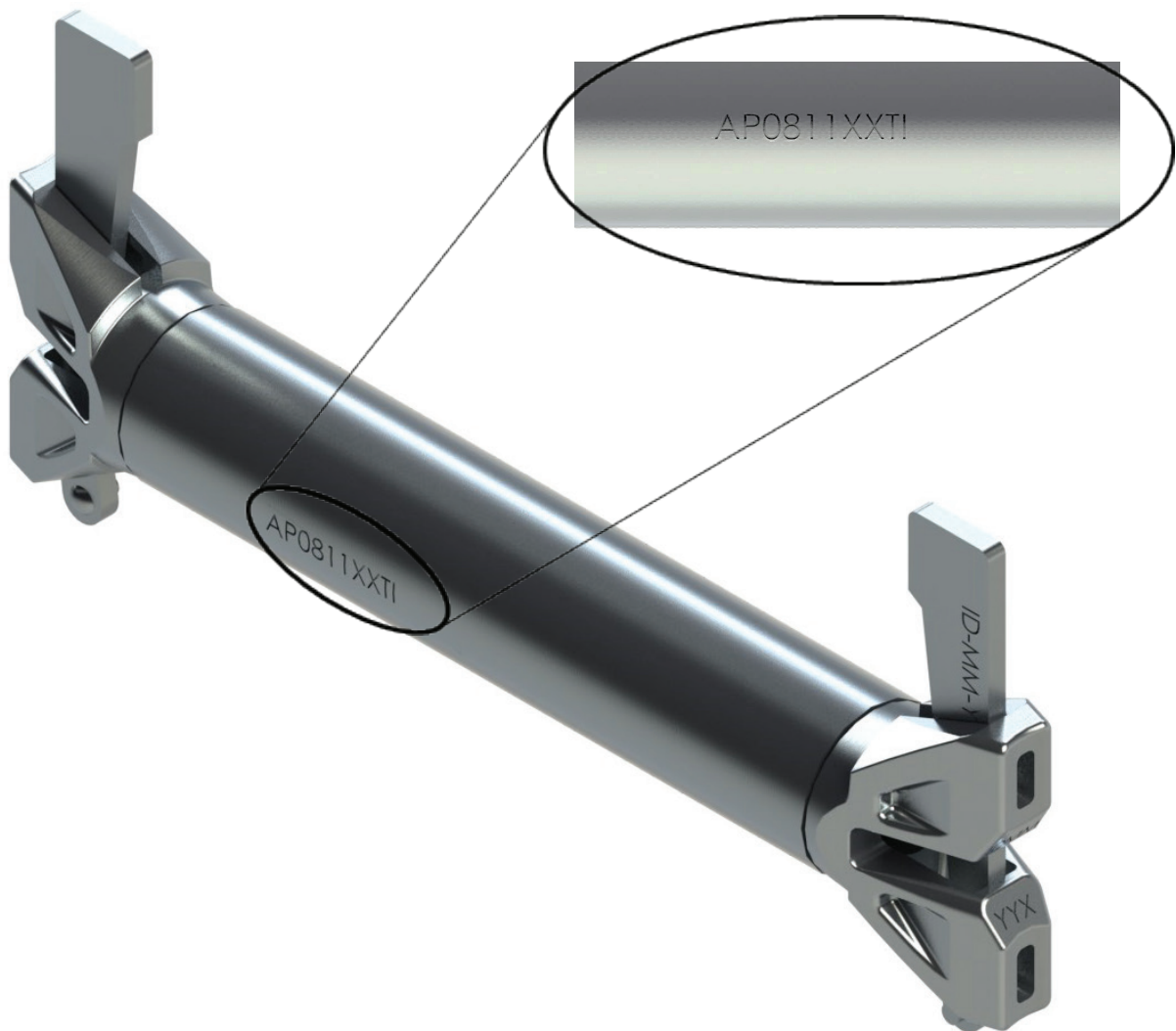
- Material** Our products are produced using only the highest quality steel, exceeding both industry and AT-PAC standards. Our steel is certified and tested to withstand the demands of your project regardless of location and climate.
- Fit** Our products are engineered with versatility and endless scaffolding opportunities in mind. Our specialised product designs increase efficiency and productivity, saving your projects time and money.
- Finish** Where applicable, our products are finished and protected by hot-dipped zinc galvanizing. This method of finishing maximizes the utilisation and extends the product life.

For additional information on Ringlock system components please consult your local AT-PAC representative.

QUALITY ENGINEERED

PRODUCT TRACEABILITY

All AT-PAC components are stamped with traceability marks.



Key

Batch Number: AP 08 11 XX TI

- AP = AT-PAC
- 08 = Month of Manufacture
- 11 = Year of Manufacture
- XX = Order Number
- TI = Reference Number

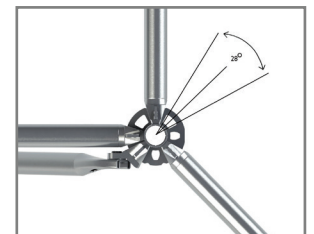
RINGLOCK OVERVIEW

RINGLOCK NODE CONNECTION

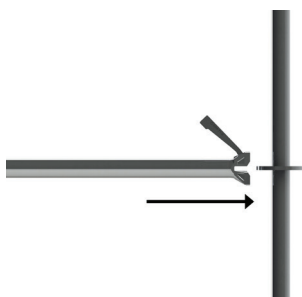
Ringlock node connection consists of standards with rosettes every 0.5m and horizontal members with a cast end captive wedge (Ledger/Transom). When connected together the ledger ends and rosettes create a very strong connection. It is this connection that transmits forces throughout the scaffold structure

The Ringlock rosette has been manufactured to have 8 holes, 4 of which are small and 4 are large. The smaller holes represent the 90 degree angle at which Ledgers/Transoms are fitted. The larger holes accommodate the diagonal bay braces and ledgers at variable angles.

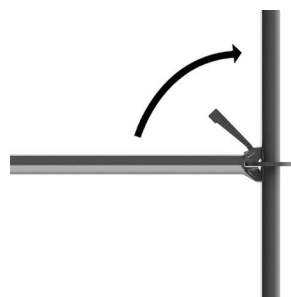
The rosette also allows for the Ledgers to be connected into the larger holes which gives up to 15 degree of maneuverability.



TO MAKE A CONNECTION



Slide Ledger head over the hole in the rosette that is to be used



Rotate wedge and insert through hole in rosette

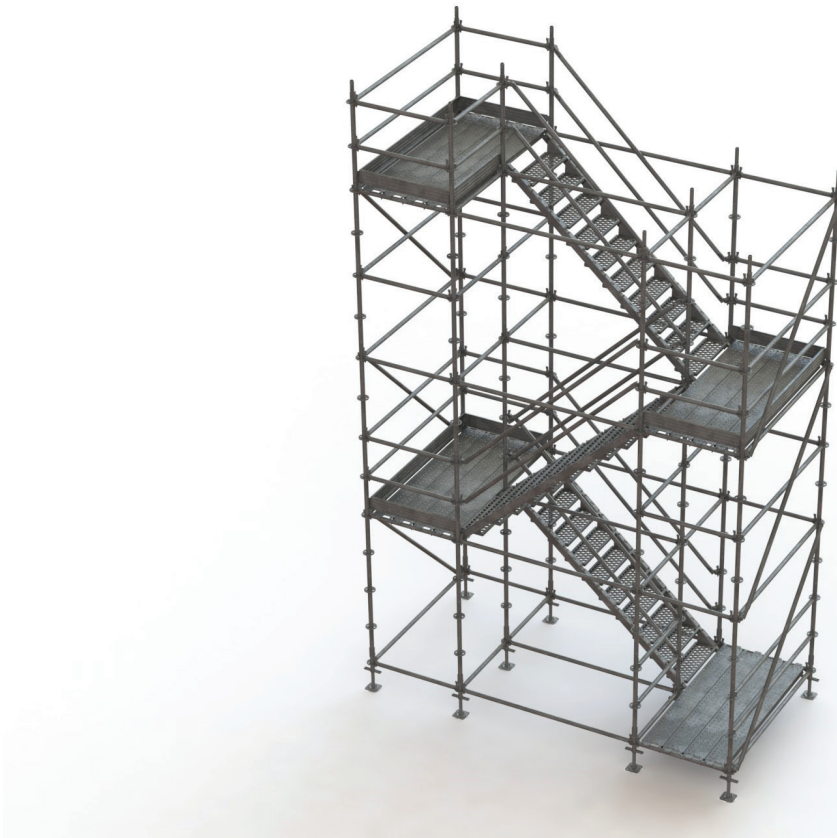


Hammer home wedge to secure in place to create a strong and rigid connection

RINGLOCK OVERVIEW

COMPONENT IDENTIFICATION

The following diagram represents the most common Ringlock components used. Most scaffold structures are made from these basic components but the Ringlock system comes with a variety of accessories for all your scaffolding requirements.



The above figure shows the typical arrangement of the AT-PAC Steel Stair System, which utilizes steel stringer channel with separate tread units which slide and lock into place. Steel Planks form the landings. Bay braces are used for stair handrails and ledgers form the landing guardrails. The Stair tower may be built separately and tied into a scaffold or may form an integral part of the main scaffold structure.

AT-PAC also has the following alternate means of access and egress:

- Exterior Inclined aluminum single ladders.
- Interior Inclined aluminum single ladders used in conjunction with Swing Gates, Ladder Access Transoms, Plank-to-Plank Transoms or Plank-to-Ledger Transoms.
- Aluminium platform stair units, with handrail units used in conjunction with a 4-leg stair tower.
- Aluminium Ladder Hatch Decks with separate ladders.

RINGLOCK OVERVIEW

COLOUR CODED COMPONENTS

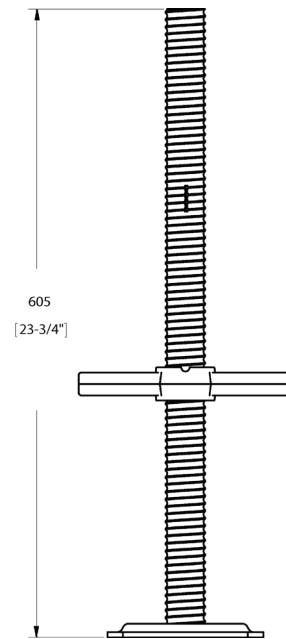
A new feature offered by AT-PAC beginning in 2015, are colour coded horizontal components manufactured with a coloured identification label. Each colour represents a common bay size; equivalent sized products have matching coloured labels. This is to make it easier for the scaffolder to match particular components for each size of bay to be erected. (For example: A Purple Ledger (3.05m) will work with a Purple Diagonal and a Purple Plank.)

.31m	COMPLETE SCAFFOLDING SOLUTIONS	1.57m	COMPLETE SCAFFOLDING SOLUTIONS
1'		5'2"	
WWW.AT-PAC.COM	INFO@AT-PAC.COM	WWW.AT-PAC.COM	INFO@AT-PAC.COM
.65m	COMPLETE SCAFFOLDING SOLUTIONS	1.82m	COMPLETE SCAFFOLDING SOLUTIONS
2'2"		6'	
WWW.AT-PAC.COM	INFO@AT-PAC.COM	WWW.AT-PAC.COM	INFO@AT-PAC.COM
.88m	COMPLETE SCAFFOLDING SOLUTIONS	2.13m	COMPLETE SCAFFOLDING SOLUTIONS
2'9"		7'	
WWW.AT-PAC.COM	INFO@AT-PAC.COM	WWW.AT-PAC.COM	INFO@AT-PAC.COM
1.065m	COMPLETE SCAFFOLDING SOLUTIONS	2.43m	COMPLETE SCAFFOLDING SOLUTIONS
3'6"		8'	
WWW.AT-PAC.COM	INFO@AT-PAC.COM	WWW.AT-PAC.COM	INFO@AT-PAC.COM
1.15m	COMPLETE SCAFFOLDING SOLUTIONS	3.05m	COMPLETE SCAFFOLDING SOLUTIONS
3'10"		10'	
WWW.AT-PAC.COM	INFO@AT-PAC.COM	WWW.AT-PAC.COM	INFO@AT-PAC.COM

RINGLOCK BASE

SCREWJACK / BASE JACK

The Screwjack is used as a starting base for a scaffold. It is adjustable in height to allow for compensation on uneven surfaces so that a level scaffold is always attainable.



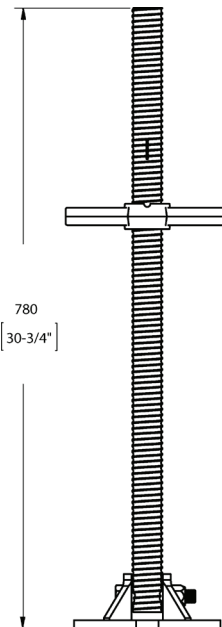
SCREWJACK/BASE JACK

PRODUCT			HEIGHT		WEIGHT		PACKAGING	
CODE	REF. NO.	DESCRIPTION	METERS	FEET	KG	LBS	QTY	TYPE
06.01.060.00	SBJ24	Screwjack / Base Jack	0.60	2'	3.78	8.31	220	RACK

RINGLOCK BASE

SWIVELJACK

The Swiveljack is used as a starting base for a scaffold. It is adjustable in height and angle to allow for compensation on uneven surfaces so that a level scaffold is always attainable.

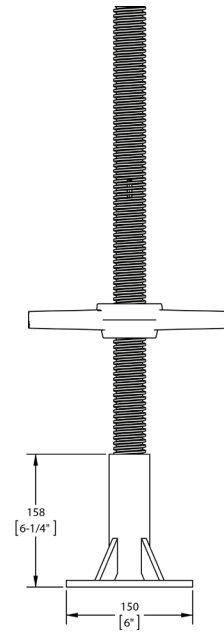


SWIVELJACK									
PRODUCT			HEIGHT		WEIGHT		PACKAGING		
CODE	REF. NO.	DESCRIPTION	METERS	FEET	KG	LBS	QTY	TYPE	
06.03.078.00	SSWBJ24	Swiveljack	0.78	2'7"	5.77	12.69	160	RACK	

RINGLOCK BASE

SOLID SCREW JACK FOR CASTOR

The Solid Screwjack for Castor is designed to be used in conjunction with 12" Castor and used as a starting base for a scaffold. It has an adjustable height to allow for compensation on uneven surfaces so that a level scaffold is always attainable.



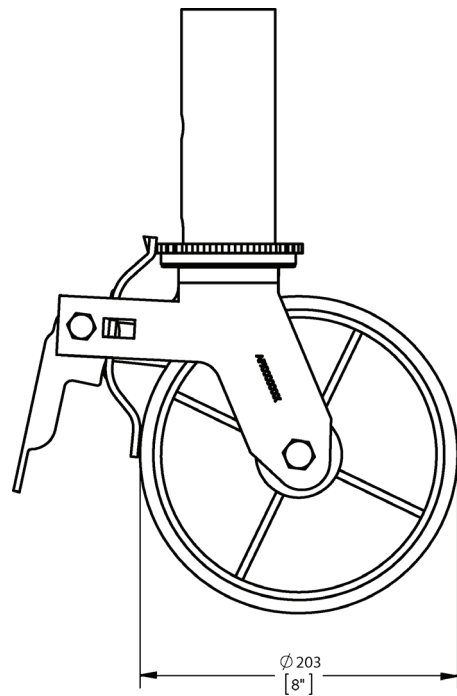
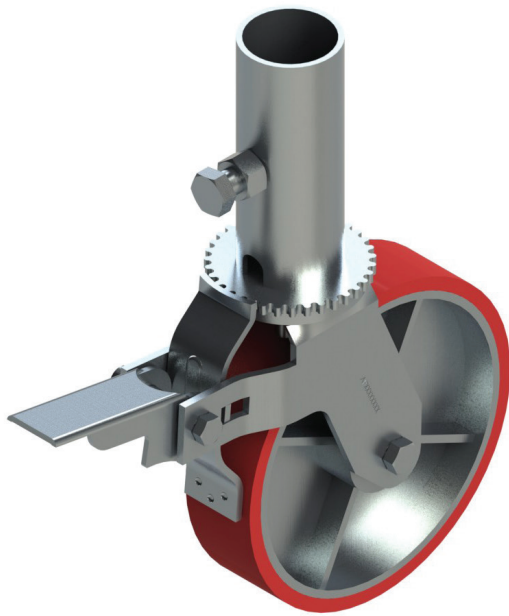
SOLID SCREWJACK FOR CASTOR

PRODUCT			HEIGHT		WEIGHT		PACKAGING	
CODE	REF. NO.	DESCRIPTION	METERS	FEET	KG	LBS	QTY	TYPE
06.02.030.00	SBJ24C	Solid Screwjack for Castor	0.69	2'3"	8.22	18	220	RACK

RINGLOCK BASE

CASTOR 8" HD

The 8" Castor is designed to provide mobility to a small to medium size scaffold tower allowing the tower to roll across flat surfaces.

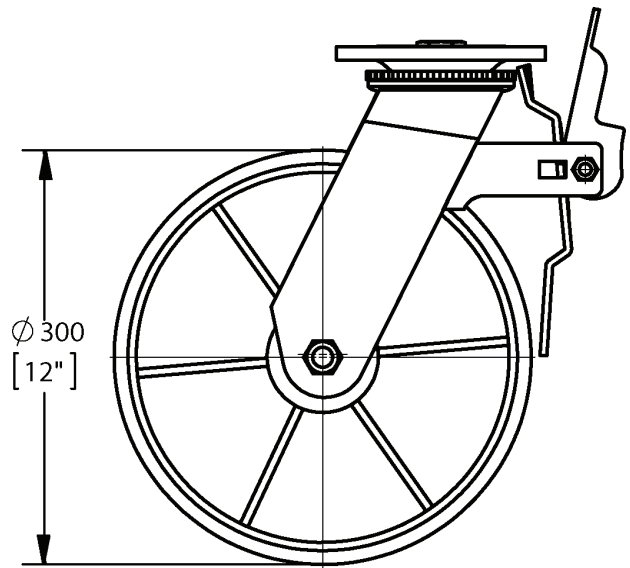


CASTOR 8" HD									
PRODUCT				HEIGHT		WEIGHT		PACKAGING	
CODE	REF. NO.	DESCRIPTION	METERS	FEET	KG	LBS	QTY	TYPE	
07.01.020.00	SSCW	Castor 8" HD	0.20	8"	8.00	17.60	100	RACK + INSERT	

RINGLOCK BASE

CASTOR 12"

The 12" Castor is designed to provide mobility to a medium to large size scaffold tower allowing the tower to roll across flat surfaces.

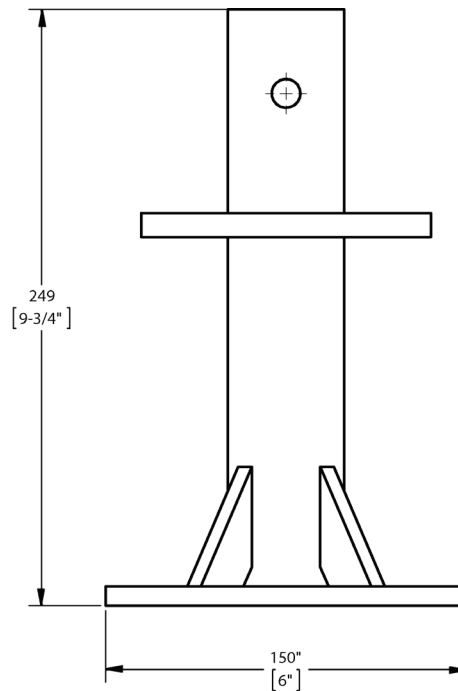
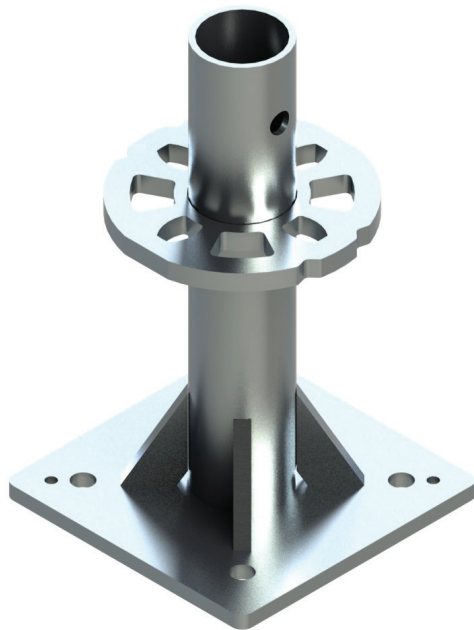


CASTOR 12"									
PRODUCT				HEIGHT		WEIGHT		PACKAGING	
CODE	REF. NO.	DESCRIPTION	METERS	FEET	KG	LBS	QTY	TYPE	
07.02.030.00	RSLC12	Castor 12"	0.31	12"	16.94	37.22	33	RACK + INSERT	

RINGLOCK BASE

ADAPTER FOR 12" CASTOR

The Adapter for 12" Castor is used as a base connection point to a 12" castor and provides a base rosette to begin scaffold construction



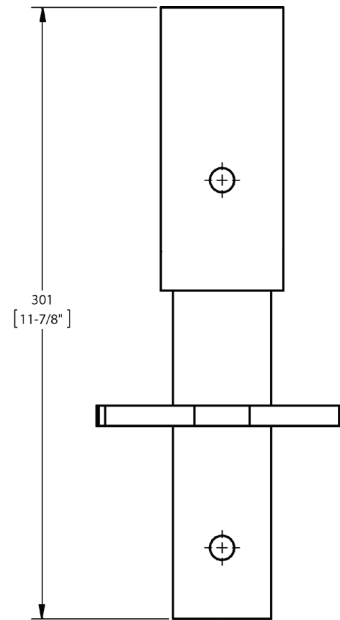
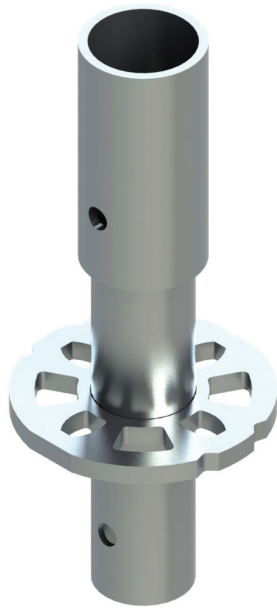
ADAPTER FOR 12" CASTOR

PRODUCT				HEIGHT		WEIGHT		PACKAGING	
CODE	REF. NO.	DESCRIPTION	METERS	FEET	KG	LBS	QTY	TYPE	
01.33.030.00	RSLC12ADT	Adapter for 12" Castor	0.249	9.75"	4.19	9.22	144	RACK + INSERT	

RINGLOCK BASE

STARTER/BASE COLLAR

The Starter/Base collar is the beginning vertical member of the Ringlock Scaffolding system. It sits upon a fixed or adjustable base.

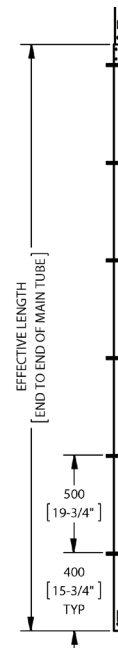


STARTER/BASE COLLAR									
PRODUCT				HEIGHT		WEIGHT		PACKAGING	
CODE	REF. NO.	DESCRIPTION	METERS	FEET	KG	LBS	QTY	TYPE	
01.27.000.00	RSBC	Starter/Base Collar	0.301	11.75"	2.51	5.52	385	RACK	

RINGLOCK STANDARDS

STANDARD WITH CRIMPED SPIGOT

Standards are the vertical members of Ringlock scaffolding. The standard provides the vertical support for scaffolding. The spigot is permanently fixed in place.

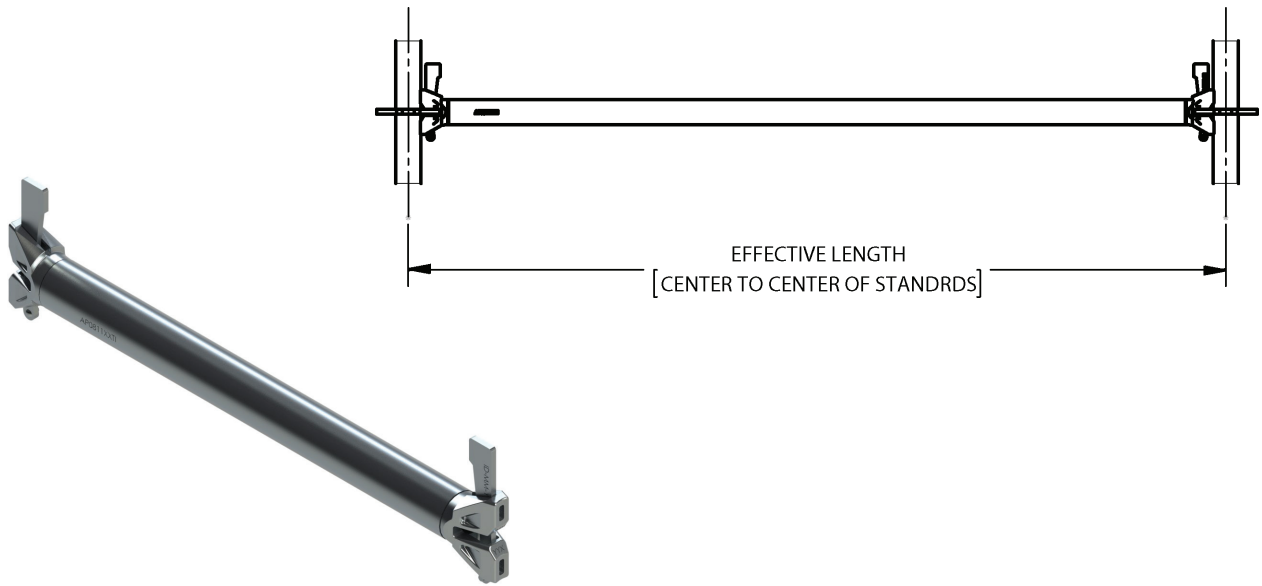


STANDARD WITH CRIMPED SPIGOT									
PRODUCT			HEIGHT		WEIGHT		PACKAGING		
CODE	REF No.	DESCRIPTION	METERS	FEET	KG	LBS	QTY	TYPE	
01.01.050.00	RSS050	Standard (1 Ring)	0.50	1'8"	3.32	7.30	270	RACK	
01.01.100.00	RSS100	Standard (2 Ring)	1.0	3'3"	5.66	12.45	180	RACK	
01.01.150.00	RSS150	Standard (3 Ring)	1.5	4'11"	8.00	17.60	90	RACK	
01.01.200.00	RSS200	Standard (4 Ring)	2.0	6'6"	10.35	22.77	90	RACK	
01.01.250.00	RSS250	Standard (5 Ring)	2.5	8'2"	12.69	27.91	90	RACK	
01.01.300.00	RSS300	Standard (6 Ring)	3.0	9'9"	15.03	33.06	90	RACK	
01.01.400.00	RSS400	Standard (8 Ring)	4.0	13'1"	19.72	43.38	90	RACK	

RINGLOCK LEDGERS

LEDGER O-TYPE

Ledgers are the horizontal members of Ringlock scaffolding. They provide horizontal support for loads and planks. Ledgers can also be used as mid rail and top or hand guard rails.

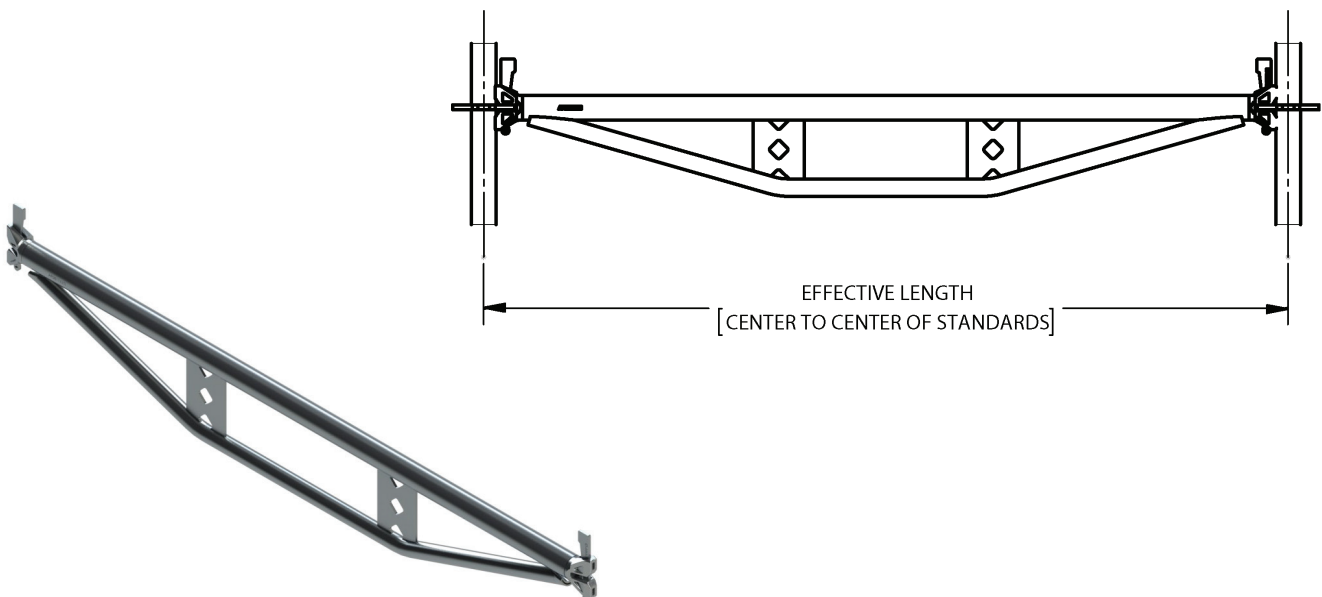


LEDGER O-TYPE									
PRODUCTS				LENGTH		WEIGHT		PACKAGING	
CODE	REF. NO.	DESCRIPTION	METERS	FEET	KG	LBS	QTY	TYPE	
01.03.015.00	RSL015	Ledger O-Type	0.15	6"	1.21	2.66	300	RACK	
01.03.031.00	N/A	Ledger O-Type	0.31	1'	1.77	3.90	300	RACK	
01.03.065.00	RSL065	Ledger O-Type	0.65	2'2"	3.12	6.86	300	RACK	
01.03.088.00	RSL088	Ledger O-Type	0.88	2'9"	3.98	8.75	200	RACK	
01.03.106.00	RSL106	Ledger O-Type	1.065	3'6"	4.68	10.29	200	RACK	
01.03.115.00	RSL115	Ledger O-Type	1.15	3'10"	5.00	11.00	150	RACK	
01.03.157.00	RSL157	Ledger O-Type	1.57	5'2"	6.36	13.99	150	RACK	
01.03.182.00	RSL182	Ledger O-Type	1.82	6'0"	7.56	16.63	150	RACK	
01.03.213.00	RSL213	Ledger O-Type	2.13	7'0"	8.70	19.14	150	RACK	
01.03.243.00	RSL243	Ledger O-Type	2.43	8'0"	9.85	21.67	150	RACK	
01.03.305.00	RSL305	Ledger O-Type	3.05	10'	12.17	26.77	150	RACK	

RINGLOCK LEDGERS

TRUSS LEDGER O-TYPE

The Truss Ledger has been designed to enable higher service loads to be applied to the scaffold than could be applied to regular ledgers. The reinforcing tube and stiffener plates support the top tube and provide strength while maintaining lightness.

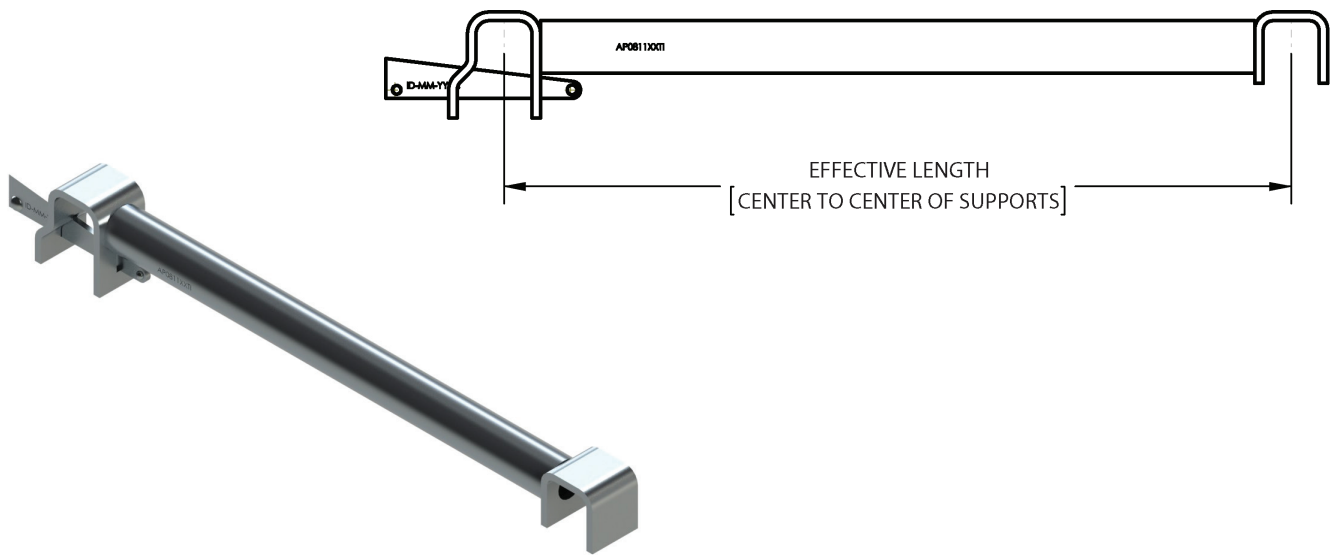


TRUSS LEDGER O-TYPE									
PRODUCT				LENGTH		WEIGHT		PACKAGING	
	CODE	REF. NO.	DESCRIPTION	METERS	FEET	KG	LBS	QTY	TYPE
	01.18.157.00	RSTL157	Truss Ledger O-Type	1.57	5'2"	10.39	22.90	66	RACK
	01.18.182.00	RSTL182	Truss Ledger O-Type	1.82	6'0"	14.95	32.89	66	RACK
	01.18.213.00	RSTL213	Truss Ledger O-Type	2.13	7'0"	17.34	38.14	66	RACK
	01.18.243.00	RSTL243	Truss Ledger O-Type	2.43	8'0"	20.44	44.97	63	RACK
	01.18.305.00	RSTL305	Truss Ledger O-Type	3.05	10'0"	21.61	47.54	63	RACK

RINGLOCK TRANSOMS

MID TRANSOM O-TYPE

Mid Transoms are designed to create a transom at the deck level anywhere inside of the bay by straddling the outer ledgers/transoms of the bay.

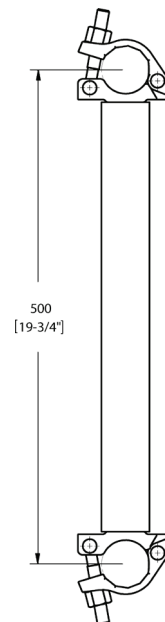


MID TRANSOM									
PRODUCT				LENGTH		WEIGHT		PACKAGING	
CODE	REF. NO.	DESCRIPTION	METERS	FEET	KG	LBS	QTY	TYPE	
01.20.088.00	RSMT088	Mid Transom	0.88	2'9"	4.55	10.73	160	RACK	
01.20.106.00	RSMT1065	Mid Transom	1.065	3'6"	5.33	11.72	160	RACK	
01.20.115.00	RSMT115	Mid Transom	1.15	3'10"	5.64	12.40	160	RACK	
01.20.157.00	RSMT157	Mid Transom	1.57	5'2"	7.17	15.53	160	RACK	
01.20.182.00	RSMT182	Mid Transom	1.82	6'0"	8.12	17.86	160	RACK	
01.20.213.00	RSMT213	Mid Transom	2.13	7'0"	9.21	20.26	160	RACK	
01.20.243.00	RSMT243	Mid Transom	2.43	8'0"	10.30	22.66	160	RACK	
01.20.305.00	RSMT305	Mid Transom	3.05	10'0"	12.56	27.63	160	RACK	

RINGLOCK TRANSOMS

VERTICAL MID TRANSOM 0.5M BOLT

The Vertical Mid Transom fits vertically between two Ledgers positioned 0.5m apart and attached with Half Couplers. When positioned at mid or third points between two Ledgers the maximum point load capacity is increased.

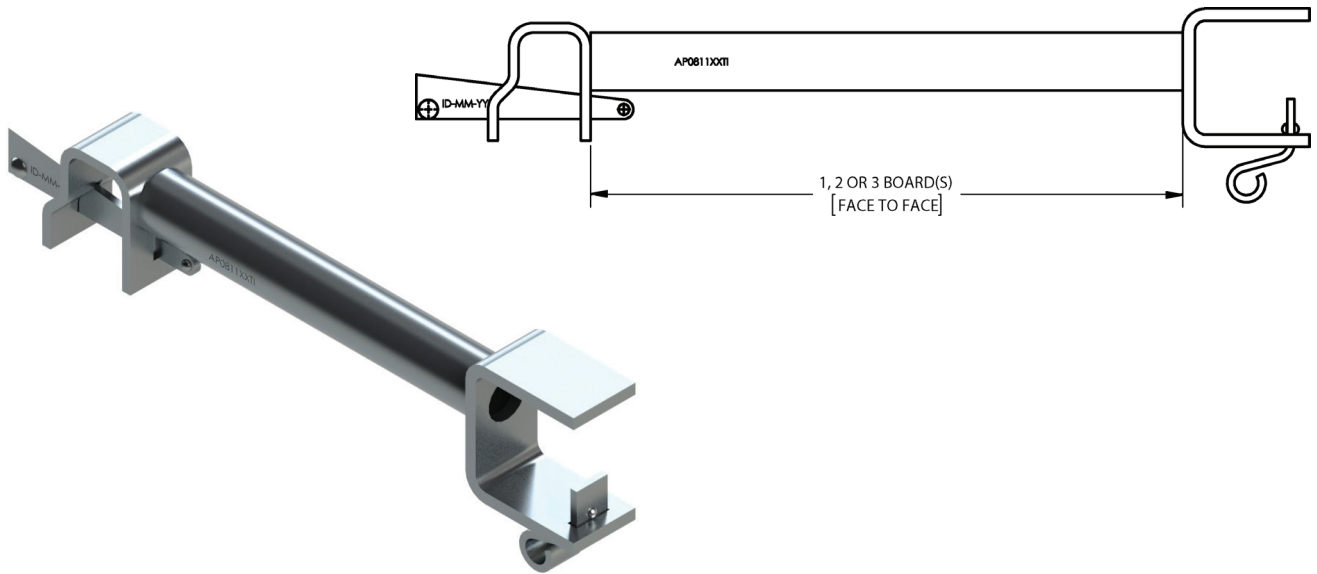


VERTICAL MID TRANSOM									
PRODUCT				HEIGHT		WEIGHT		PACKAGING	
CODE	REF. NO.	DESCRIPTION	METERS	FEET	KG	LBS	QTY	TYPE	
01.21.050.30	RSVT050	Vertical Mid Transom	0.50	1'7"	3.32	7.30	160	RACK	

RINGLOCK TRANSOMS

LEDGER TO PLANK TRANSOM O-TYPE

A Ledger to Plank Transom is used where a ladder access way opening is required on one side of the access platform, or where a gap in the platform is needed to accommodate a column or pipe



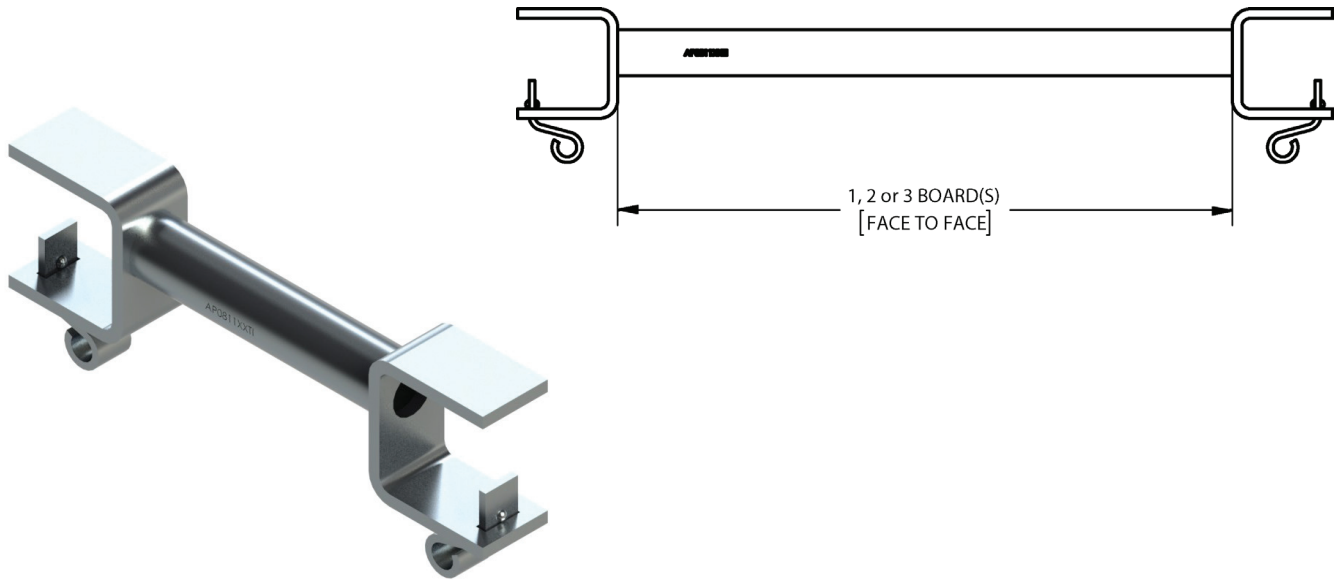
LEDGER TO PLANK TRANSOM

PRODUCT			LENGTH		WEIGHT		PACKAGING	
CODE	REF. NO.	DESCRIPTION	METERS	FEET	KG	LBS	QTY	TYPE
01.23.240.00	RSLPT240	Ledger to Plank - 1 Plank	0.240	1'0"	3.47	7.63	170	CAGE
01.23.480.00	RSLPT480	Ledger to Plank - 2 Plank	0.480	1'7"	4.33	9.52	200	RACK
01.23.720.00	RSLPT720	Ledger to Plank - 3 Plank	0.720	2'4"	5.18	11.39	200	RACK

RINGLOCK TRANSOMS

PLANK TO PLANK TRANSOM O-TYPE

A Plank to Plank Transom is used where an opening is in the middle of the access platform to accommodate columns or pipes that pass through the working platform.

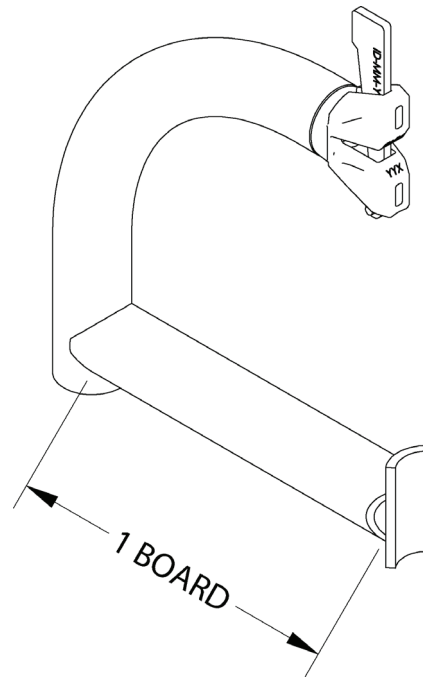


PLANK TO PLANK TRANSOM									
PRODUCT				LENGTH		WEIGHT		PACKAGING	
CODE	REF. NO.	DESCRIPTION	METERS	FEET	KG	LBS	QTY	TYPE	
01.24.240.00	RSPPT240	Plank to Plank - 1 Plank	0.240	1'0"	3.69	8.11	170	CAGE	
01.24.480.00	RSPPT640	Plank to Plank - 2 Plank	0.480	1'7"	4.54	9.98	200	RACK	
01.24.720.00	RSPPT720	Plank to Plank - 3 Plank	0.720	2'4"	5.40	11.88	200	RACK	

RINGLOCK BRACKETS

STEP DOWN BRACKET

The Step Down Bracket attaches to the edge of the Ringlock platform creating a step down of 250mm. The Step Down Bracket can be used on the kicker/ base lift if the Base Jacks are at full extension, this enables easy access and egress to the kicker/ base lift..



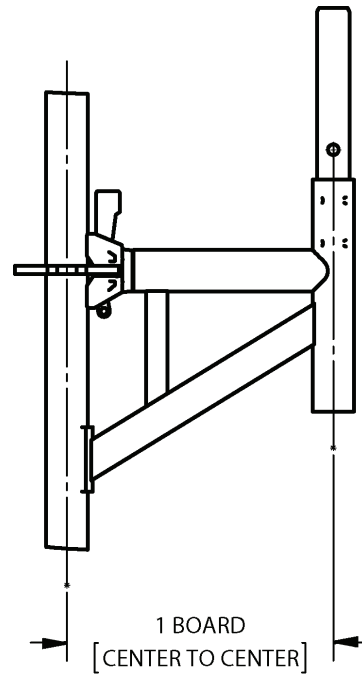
STEP DOWN BRACKET

PRODUCT				WIDTH		WEIGHT		PACKAGING	
CODE	REF. NO.	DESCRIPTION	METERS	FEET	KG	LBS	QTY	TYPE	
01.15.027.00	RSSDB027	Step Down Bracket	0.27	11"	3.27	7.19	100	RACK + INSERT	

RINGLOCK BRACKETS

SIDE/HOP-UP O-TYPE

Side/Hop-Up Brackets are used to extend the working platform closer to the building structure in cases where the main scaffold cannot be erected directly next to the working face.



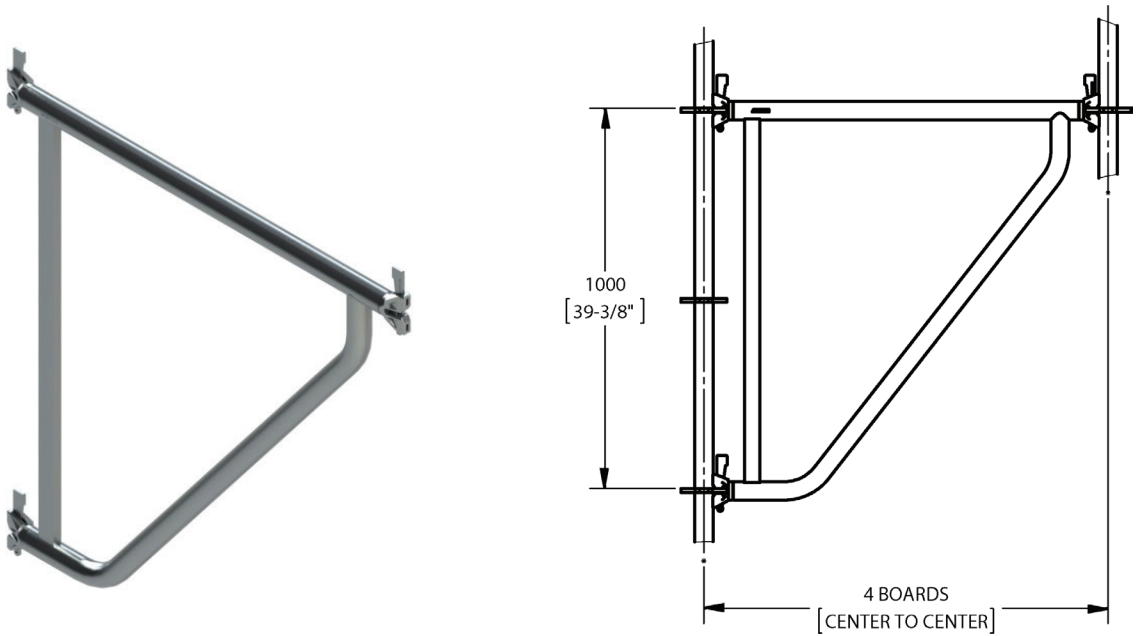
SIDE/HOP-UP BRACKET O-TYPE

PRODUCT				WIDTH		WEIGHT		PACKAGING	
CODE	REF. NO.	DESCRIPTION	METERS	FEET	KG	LBS	QTY	TYPE	
01.11.031.00	RSSB031	Side Bracket 1 Board	0.31	1'0"	4.59	10.10	110	RACK + INSERT	
01.11.065.00	RSSB065	Side Bracket 2 Board	0.65	2'2"	7.27	16.0	72	RACK	
01.11.088.00	RSSB088	Side Bracket 3 Board	0.88	2'9"	8.70	19.14	26	RACK	

RINGLOCK BRACKETS

SIDE/CONSOLE BRACKET O-TYPE

Side/Console brackets are used at the end of any scaffold to extend or widen the reach.



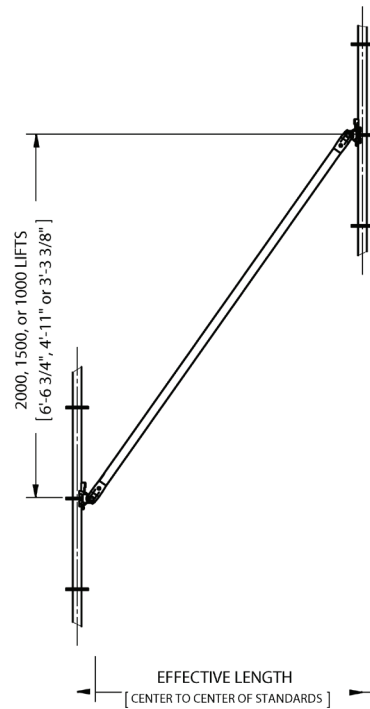
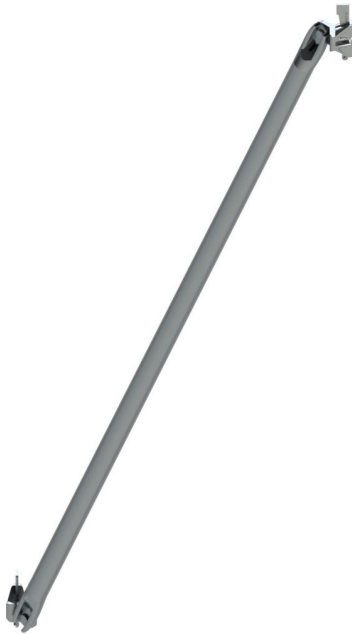
SIDE/CONSOLE BRACKET O-TYPE

PRODUCT				WIDTH		WEIGHT		PACKAGING	
CODE	REF. NO	DESCRIPTION	METERS	FEET	KG	LBS	QTY	TYPE	
01.12.106.00	RSCB106	Side/Console Bracket	1.065	3'6"	12.75	28.05	26	RACK	
01.12.115.00	RSCB115	Side/Console Bracket	1.15	3'10"	13.09	30.55	26	RACK	

RINGLOCK BRACES

DIAGONAL BAY BRACE 2.0M LIFT

Diagonal Bay Braces are used for the lateral bracing of Ringlock scaffolds. They can also be used as compression and tension members for cantilevers/spurs where they transmit loads back into the main scaffold structure. Diagonal/Bay Braces are also used for handrails in the Ringlock Steel Stair System.



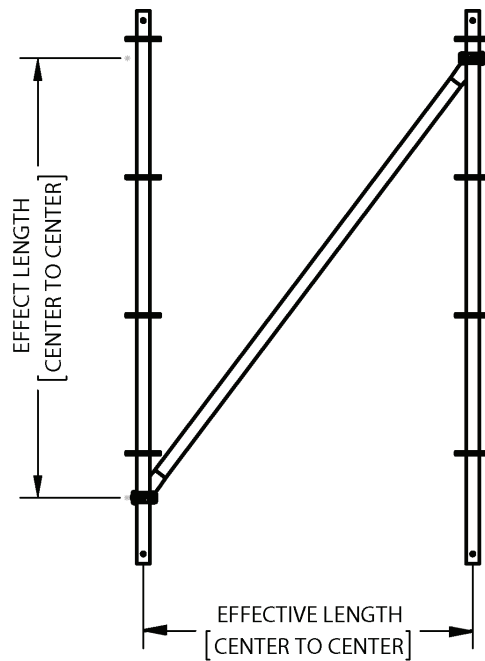
DIAGONAL BAY BRACE (FACADE BRACE FOR 2.0M LIFT HEIGHT)

PRODUCT			BAY LENGTH		WEIGHT		PACKAGING		
CODE	REF. NO.	DESCRIPTION	METERS	FEET	KG	LBS	QTY	TYPE	
01.06.088.00	RSBB20-088	Diagonal Bay Brace	0.88	2'9"	7.88	17.33	150	RACK	
01.06.106.00	RSBB20-106	Diagonal Bay Brace	1.065	3'6"	8.08	17.77	150	RACK	
01.06.115.00	RSBB20-115	Diagonal Bay Brace	1.15	3'10"	8.17	17.97	150	RACK	
01.06.157.00	RSBB20-157	Diagonal Bay Brace	1.57	5'2"	8.79	19.38	150	RACK	
01.06.182.00	RSBB20-182	Diagonal Bay Brace	1.82	6'0"	9.23	20.30	150	RACK	
01.06.213.00	RSBB20-213	Diagonal Bay Brace	2.13	7'0"	9.80	21.56	150	RACK	
01.06.243.00	RSBB20-243	Diagonal Bay Brace	2.43	8'0"	10.44	22.96	150	RACK	
01.06.305.00	RSBB20-305	Diagonal Bay Brace	3.05	10'0"	11.82	26.00	150	RACK	

RINGLOCK BRACES

SWIVEL CLAMP BRACE

Swivel Clamp Braces are used for the lateral bracing modular scaffolding. Swivel Clamp Braces can also be used as obtuse angle mid rail and top or hand guard rails in conjunction with AT-PAC's stair system. Swivel Clamp Braces give more versatility to attach the brace to any location on the vertical member of the scaffold. This item should NOT be used for cantilevers/spurring.



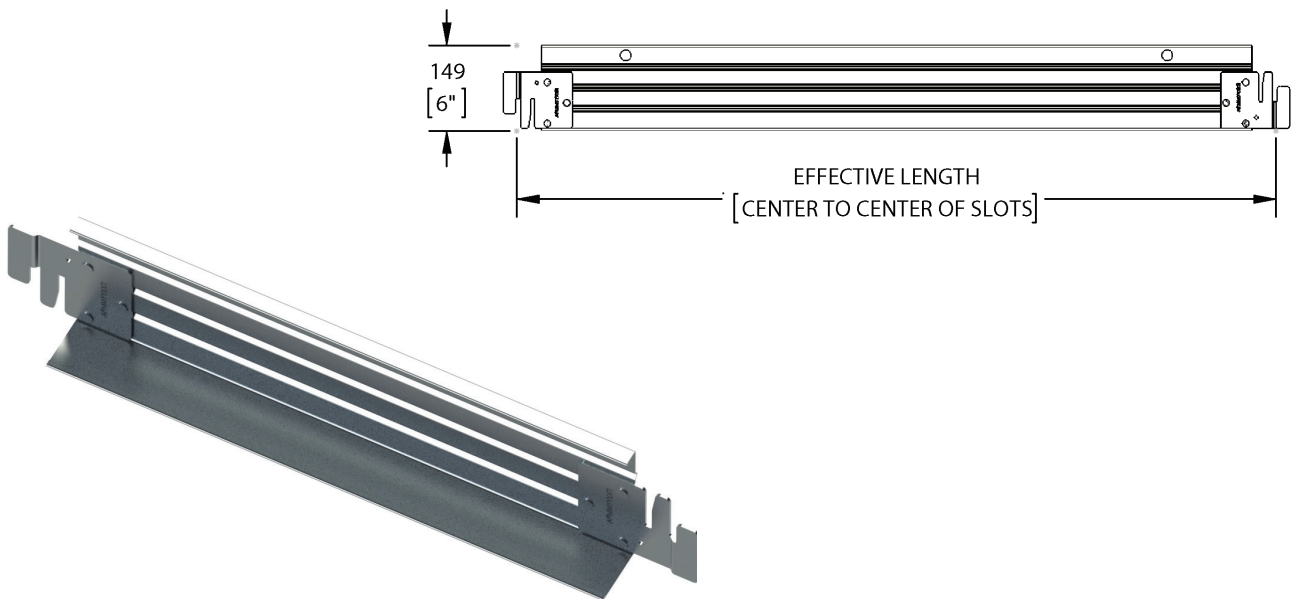
SWIVEL CLAMP BRACE									
PRODUCT				BAY LENGTH		WEIGHT		PACKAGING	
	CODE	REF. NO.	DESCRIPTION	METERS	FEET	KG	LBS	QTY	TYPE
	01.09.007.30	RSACB07-23	Swivel Clamp Brace	2.13	7'	10.01	20.02	150	RACK
	01.09.008.30	RSACB08-23	Swivel Clamp Brace	2.43	8'	10.67	23.47	150	RACK
	01.09.010.30	RSACB10-23	Swivel Clamp Brace	3.05	10'	11.99	26.37	510	RACK

***Product Available in a Nut Size of 21mm (UK), 22mm (N. America) and 23mm (AUS)*

WORK PLATFORMS

INTERLOCKING TOEBOARD O-TYPE

The Interlocking Toeboard is designed to enclose the bay at the deck level preventing small tools, debris and other items from falling off the deck platform.

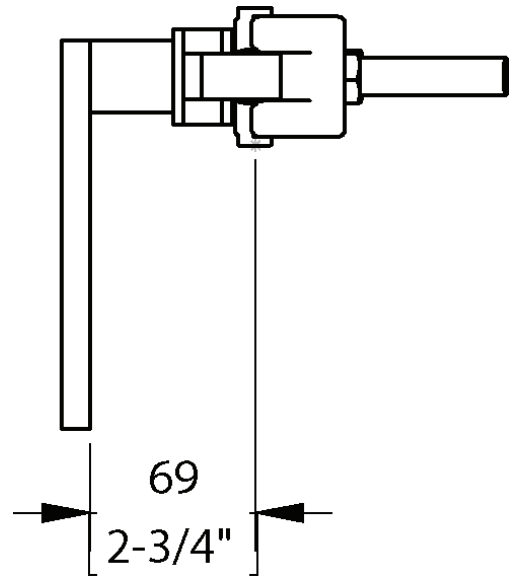


INTERLOCKING TOEBOARD O-TYPE									
PRODUCT				LENGTH		WEIGHT		PACKAGING	
	CODE	REF. NO.	DESCRIPTION	METERS	FEET	KG	LBS	QTY	TYPE
	08.08.065.00	SSTBL065	Interlocking Toeboard	0.65	2'2"	2.15	4.73	204	RACK
	08.08.088.00	SSTBL088	Interlocking Toeboard	0.88	2'9"	2.82	6.20	204	RACK
	08.08.106.00	SSTBL106	Interlocking Toeboard	1.065	3'6"	3.36	7.39	102	RACK
	08.08.115.00	SSTBL115	Interlocking Toeboard	1.15	3'10"	3.60	7.92	102	RACK
	08.08.157.00	SSTBL157	Interlocking Toeboard	1.57	5'2"	4.82	10.60	102	RACK
	08.08.182.00	SSTBL182	Interlocking Toeboard	1.82	6'0"	5.28	11.61	102	RACK
	08.08.213.00	SSTBL213	Interlocking Toeboard	2.13	7'0"	6.03	13.27	102	RACK
	08.08.243.00	SSTBL243	Interlocking Toeboard	2.43	8'0"	7.34	16.15	102	RACK
	08.08.305.00	SSTBL305	Interlocking Toeboard	3.05	10'0"	9.11	20.04	102	RACK

WORK PLATFORMS

TOEBOARD RETAINING CLAMP

The Toe Board Retaining Clamp is used to secure Wooden LVL Scaffold Planks and/or Interlocking Toe Boards, especially in high wind locations.

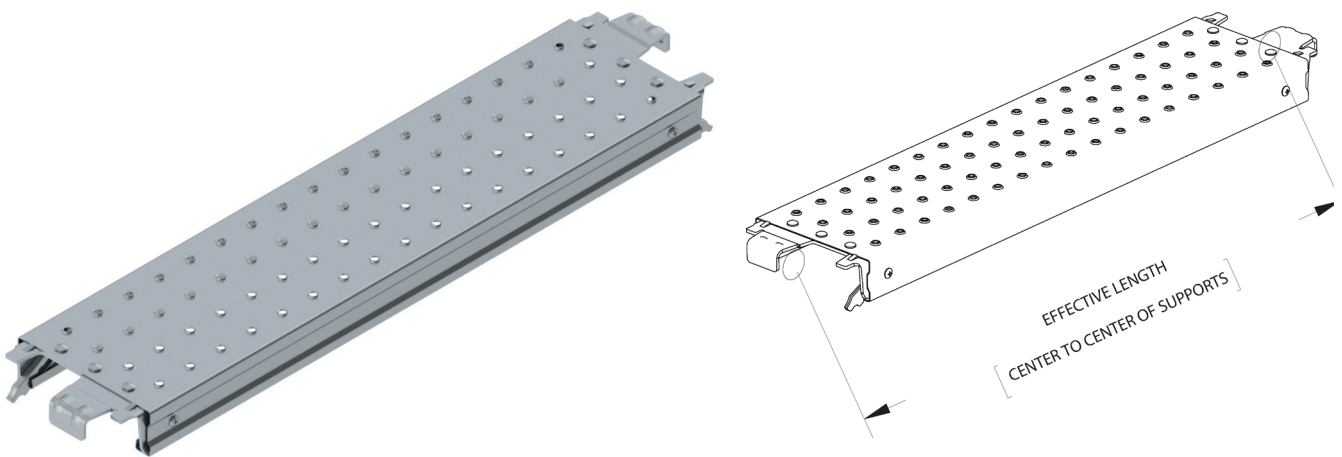


TOEBOARD RETAINING CLAMP							
PRODUCTS				WEIGHT		PACKAGING	
	CODE	REF. NO.	DESCRIPTION	KG	LBS	QTY	TYPE
	04.16.000.00	TCTBRC	Toeboard Retaining Clamp	0.87	1.91	1000	RACK + INSERT

WORK PLATFORMS

STEEL PLANK O-TYPE 240mm

Steel Planks are laid side by side to form the working platform. The number of Steel Planks used determines the width of the platform. They span the length of the bay and hook onto the supporting Ledger/Transom. There is an antilock system to prevent uplift in adverse conditions.



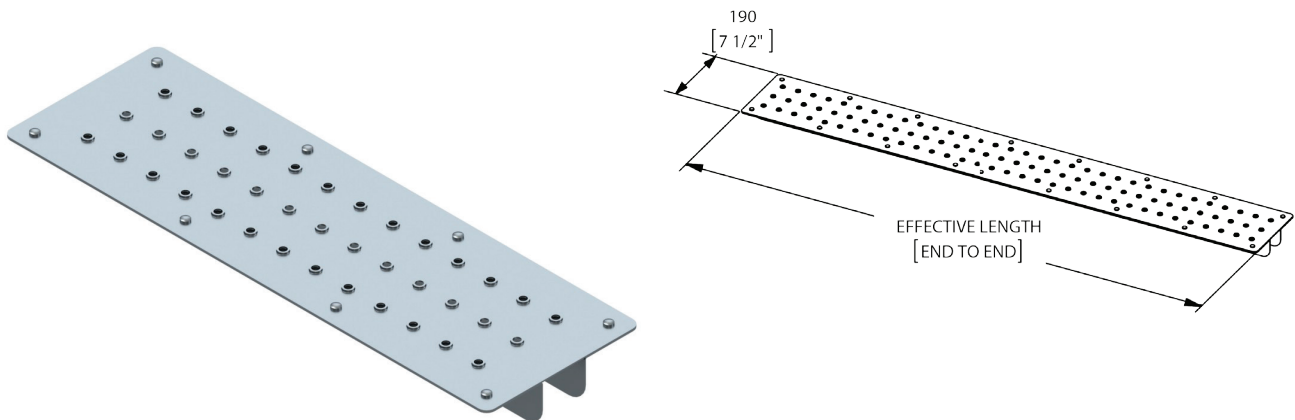
STEEL PLANK O-TYPE 240mm

PRODUCT		LENGTH		WEIGHT		PACKAGING		
CODE	REF. NO.	DESCRIPTION	METERS	FEET	KG	LBS	QTY	TYPE
08.02.088.00	RSSP088	Steel Plank O-Type	0.88	2'9"	7.29	16.03	100	RACK
08.02.106.00	RSSP106	Steel Plank O-Type	1.065	3'6"	8.39	18.46	50	RACK
08.02.115.00	RSSP115	Steel Plank O-Type	1.15	3'10"	8.89	19.55	50	RACK
08.02.157.00	RSSP157	Steel Plank O-Type	1.57	5'2"	11.39	20.05	50	RACK
08.02.182.00	RSSP182	Steel Plank O-Type	1.82	6'0"	12.93	28.44	50	RACK
08.02.213.00	RSSP213	Steel Plank O-Type	2.13	7'0"	14.72	32.38	50	RACK
08.02.243.00	RSSP243	Steel Plank O-Type	2.43	8'0"	16.55	36.41	50	RACK
08.02.305.00	RSSP305	Steel Plank O-Type	3.05	10'0"	20.11	44.24	50	RACK

WORK PLATFORMS

INFILL PLANK

The Infill Plank is designed to fill any unwanted gaps between planks or bays providing a continuous working platform and to prevent small tools, debris and other items falling from the deck level.



INFILL PLANK									
PRODUCTS				LENGTH		WEIGHT		PACKAGING	
	CODE	REF. NO.	DESCRIPTION	METERS	FEET	KG	LBS	QTY	TYPE
	08.07.088.00	SIFP088	Infill Plank	0.88	2'11"	3.50	7.70	270	RACK
	08.07.106.00	SIFP106	Infill Plank	1.065	3'6"	4.37	9.61	135	RACK
	08.07.115.00	SIFP115	Infill Plank	1.15	3'10"	5.04	11.09	135	RACK
	08.07.157.00	SIFP157	Infill Plank	1.57	5'2"	6.83	15.02	135	RACK
	08.07.182.00	SIFP182	Infill Plank	1.82	6'0"	8.18	18.00	135	RACK
	08.07.213.00	SIFP213	Infill Plank	2.13	7'0"	9.52	20.95	135	RACK
	08.07.243.00	SIFP243	Infill Plank	2.43	8'0"	11.81	25.99	135	RACK
	08.07.305.00	SIFP305	Infill Plank	3.05	10'0"	14.10	31.02	135	RACK

INTRODUCTION TO STAIR PLATFORMS



NOTE: Drawing is for guidance only and actual configuration may vary depending on region being erected. Please see specific Region Erection and Dismantle manuals for instructions.

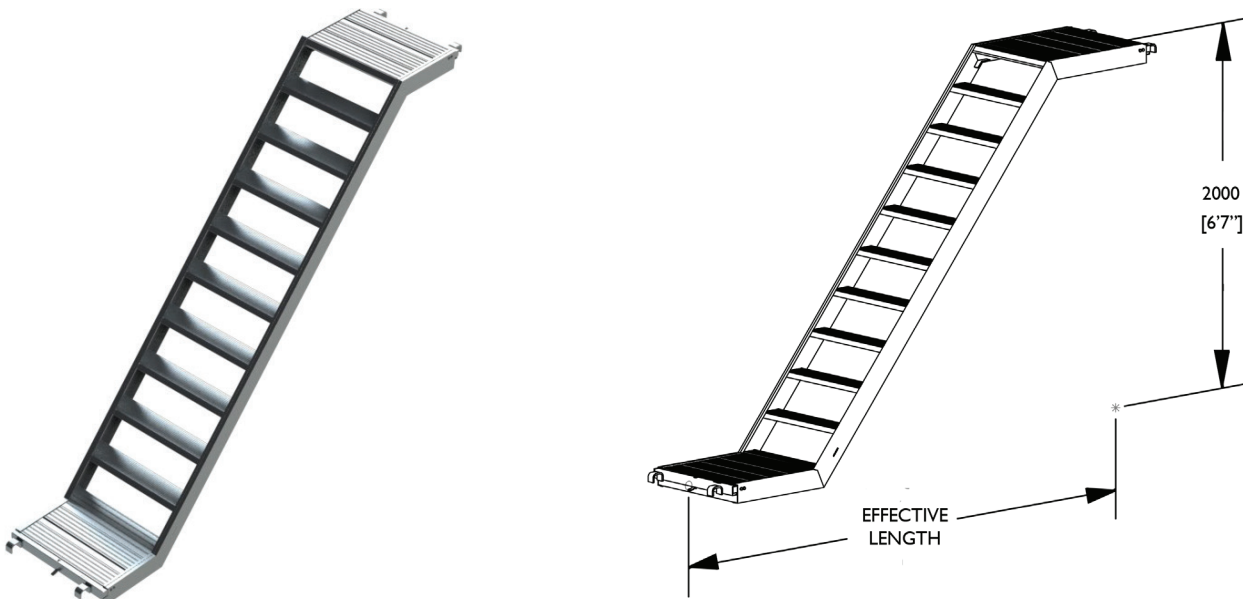
The Ringlock Platform Stair Tower makes for safer access and is more convenient than ladders. The Stair Tower can be easily integrated within an existing scaffold, or used independently. The stairs fit into 2.0m lifts and if required, an entrance or exit can be made at each platform level.

The Ringlock Platform Stair Tower is built from standard Ringlock system components with only three additional components. These are the Aluminium Platform Stair, the Guardrails and Outer Guardrails.

Every Ringlock Scaffold and Stair Tower needs to be tied to a rigid construction for stability depending on its height and least base dimension. At heights above 4.0m the Stair Tower needs to be fastened to the access scaffold or the permanent building/structure every 4m vertically.

ALUMINUM STAIR PLATFORM O-TYPE

Aluminum Platform Stairs are used to provide safe and convenient means of access/egress from the working areas of scaffolds. Their lightweight aluminum construction allows the design to incorporate the stairs and landing in one unit, saving labour and time.

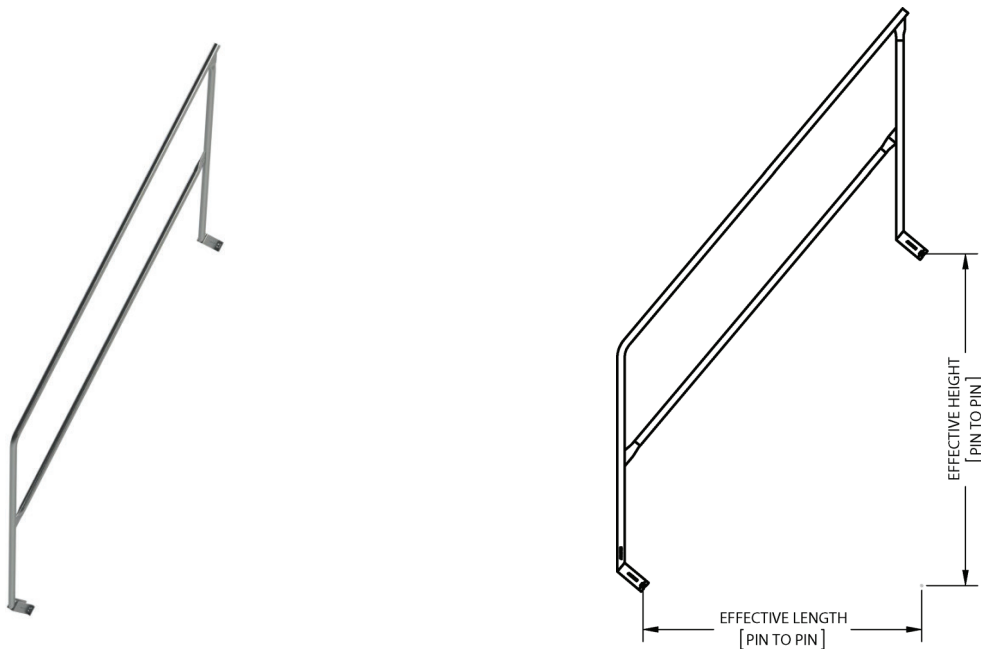


ALUMINUM STAIR SYSTEM PLATFORM O-TYPE

PRODUCT				HEIGHT/BAY LENGTH		WEIGHT		PACKAGING	
CODE	REF. NO.	DESCRIPTION	METERS	FEET	KG	LBS	QTY	TYPE	
16.01.305.00	RSASPL-305	AL Stair System	2.0 x 3.05	6'7" x 10'	33.94	74.67	12	PALLET	

ALUMINUM STAIR INNER GUARDRAIL

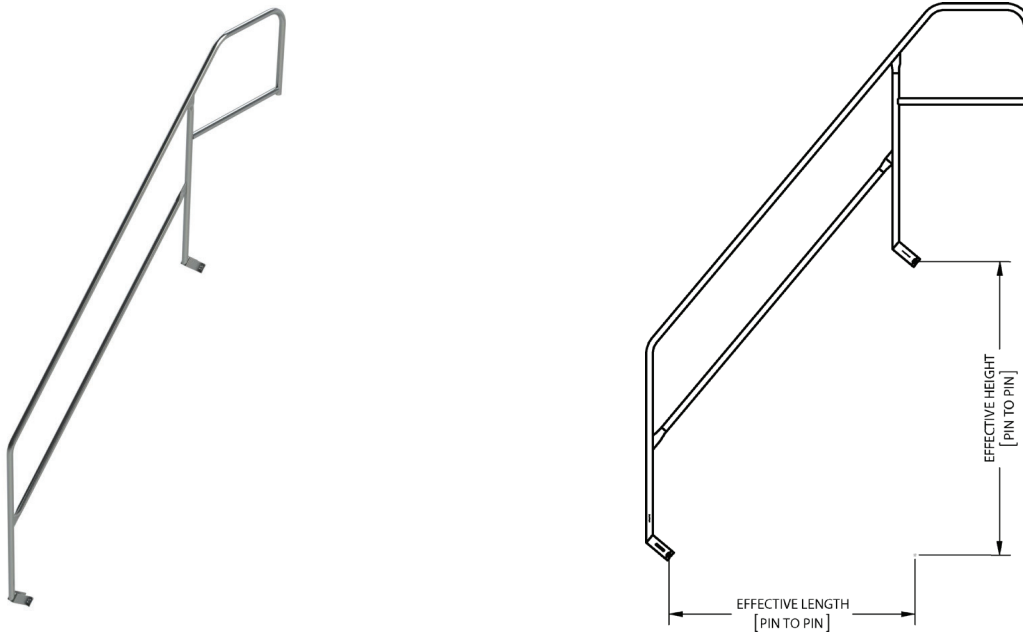
The Aluminum Stair Guardrail is used to provide a handrail on the inner side of the Aluminum Stair Platform. It attaches to the Stair Stringer channel.



INNER GUARDRAIL									
PRODUCT				HEIGHT/BAY LENGTH		WEIGHT		PACKAGING	
CODE	REF. NO.	DESCRIPTION	METERS	FEET	KG	LBS	QTY	TYPE	
16.08.000.30	RSASIG	AL Stair Inner Guardrail	2.0 x 3.05	6'7" x 10'	12.19	26.81	20	RACK	

ALUMINUM STAIR INNER EXTENDED GUARDRAIL

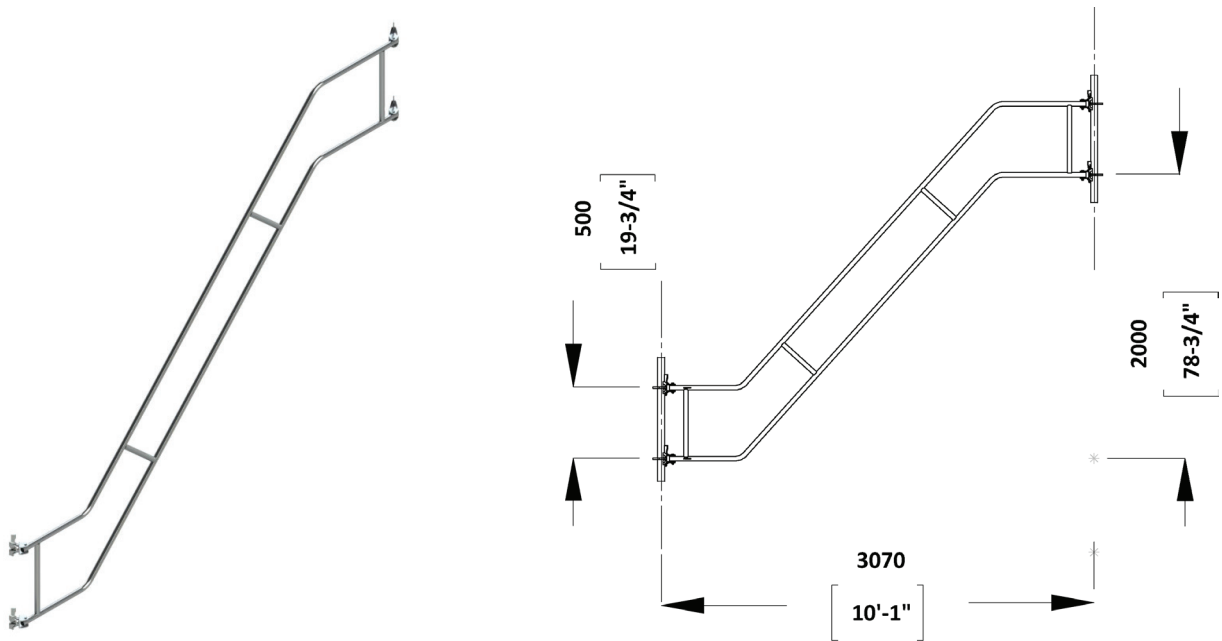
The Aluminum Stair Guardrail is used to provide a handrail on the inner side of the Aluminum Stair Platform. It attaches to the Stair Stringer channel. The upper end of the Aluminum Stair Inner Extended Guardrail provides an extension to provide an additional guardrail to the upper platform.



INNER EXTENDED GUARDRAIL									
PRODUCT				HEIGHT/BAY LENGTH		WEIGHT		PACKAGING	
CODE	REF. NO.	DESCRIPTION	METERS	FEET	KG	LBS	QTY	TYPE	
16.05.305.30	RSASEG305	AL Stair Inner Ext Guardrail	2.0 x 3.05	6'7" x 10'	14.20	31.39	20	RACK	

ALUMINUM STAIR OUTER GUARDRAIL

The Aluminum Stair Guardrail is used to provide a handrail on the outer side of the Aluminum Platform Stair. It attaches to the outer stringer channel at the top and bottom using a bolted connection for rigidity.

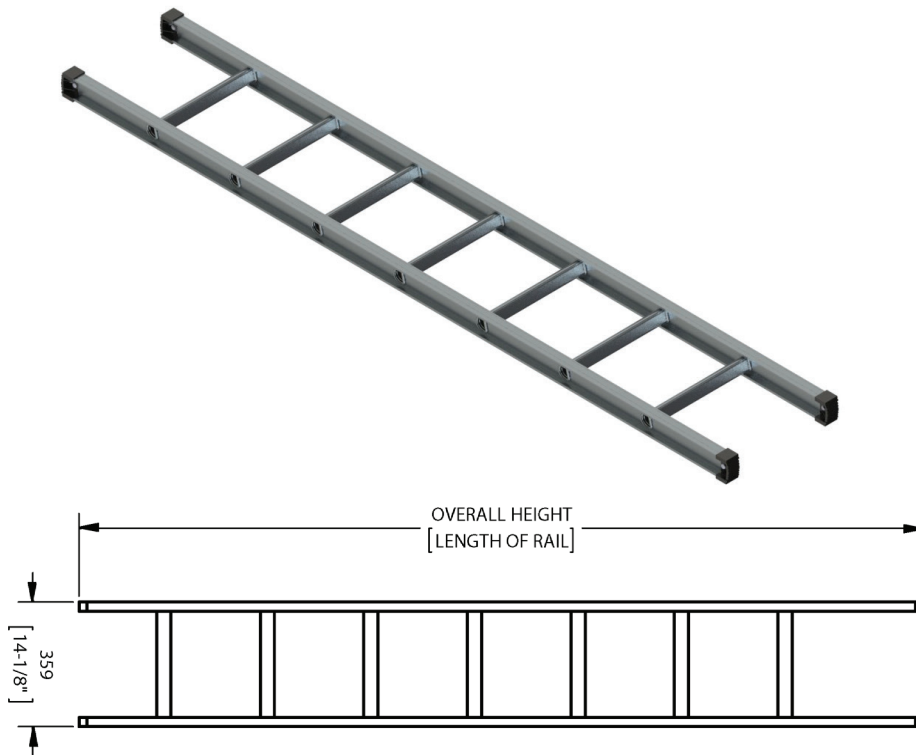


OUTER GUARDRAIL									
PRODUCT				HEIGHT/BAY LENGTH		WEIGHT		PACKAGING	
CODE	REF. NO.	DESCRIPTION	METERS	FEET	KG	LBS	QTY	TYPE	
16.06.305.30	RSASOG305	AL Stair Outer Guardrail	2.0 x 3.05	6'7" x 10'	17.32	38.10	20	RACK	

ACCESS & EGRESS

ALUMINUM LADDER

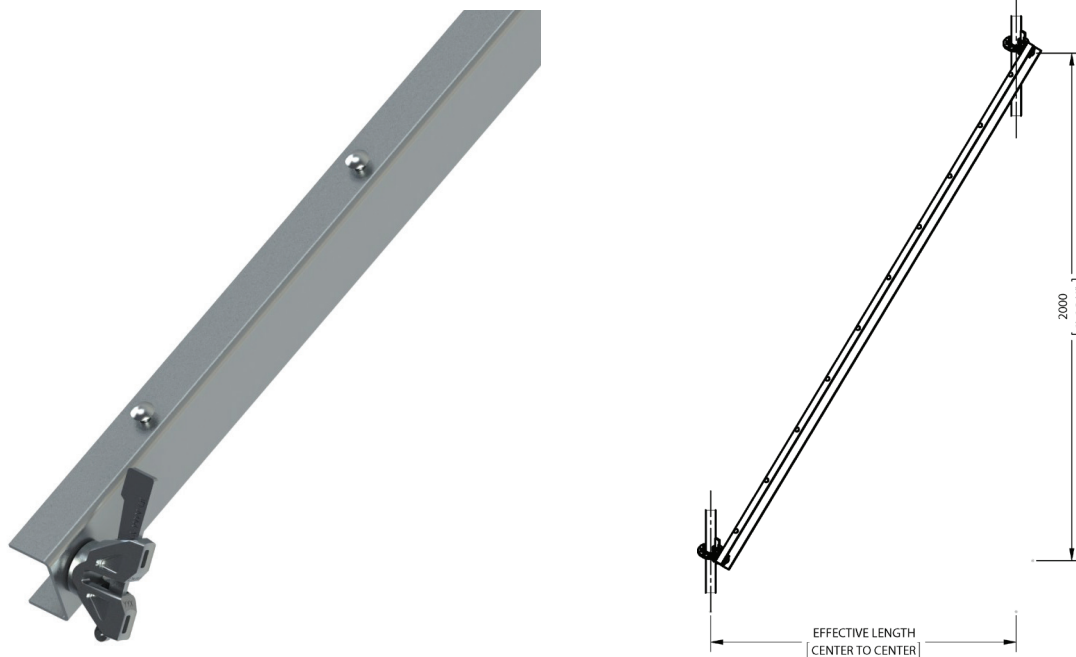
Aluminum Ladders are designed to attach to the inside or outside of a scaffold tower, providing safe access to the various deck levels.



ALUMINUM LADDER									
PRODUCT				HEIGHT		WEIGHT		PACKAGING	
CODE	REF. NO.	DESCRIPTION	METERS	FEET	KG	LBS	QTY	TYPE	
14.01.240.00	AL08	Aluminum Ladder	2.40	8'	5.00	11.00	25	BUNDLE	
14.01.300.00	AL10	Aluminum Ladder	3.00	10'	7.00	15.40	25	BUNDLE	
14.01.360.00	AL12	Aluminum Ladder	3.60	12'	9.00	19.80	25	BUNDLE	
14.01.420.00	AL14	Aluminum Ladder	4.20	14'	11.00	22.00	25	BUNDLE	
14.01.480.00	AL16	Aluminum Ladder	4.80	16'	13.00	28.60	25	BUNDLE	
14.01.540.00	AL18	Aluminum Ladder	5.40	18'	15.00	33.00	25	BUNDLE	
14.01.600.00	AL20	Aluminum Ladder	6.00	20'	17.00	37.40	25	BUNDLE	

STAIR STRINGER

The Stair Stringer 7ft (2.13) x 6ft-6" (2.0m) is designed as the diagonal members of the stair system and provide the connection points for the stair treads.



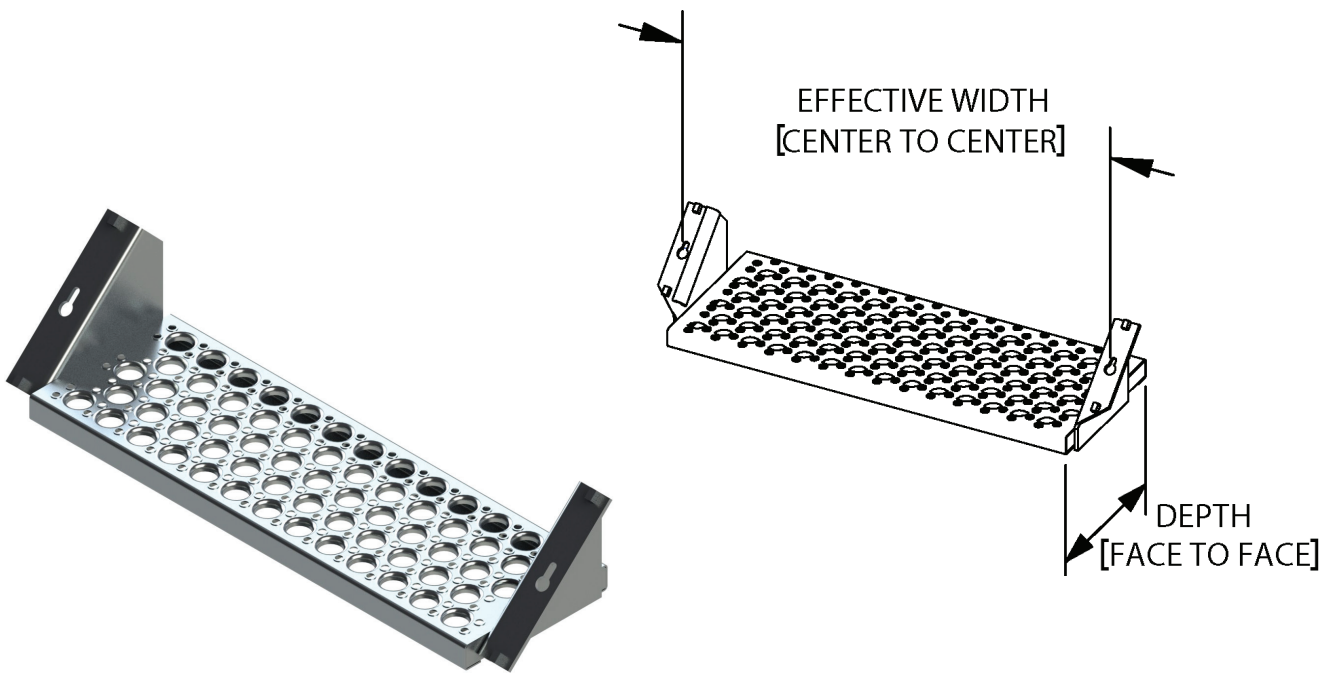
STAIR STRINGER

STAIR STRINGER									
PRODUCT				LENGTH		WEIGHT		PACKAGING	
CODE	REF. NO.	DESCRIPTION	METERS	FEET	KG	LBS	QTY	TYPE	
15.01.106.00	RSSS106	Stair Stringer	1.065	3'6"	9.15	20.13	108	RACK	
15.01.213.00	RSSS213	Stair Stringer	2.13	7'	16.79	36.94	108	RACK	

ACCESS & EGRESS

STAIR TREAD

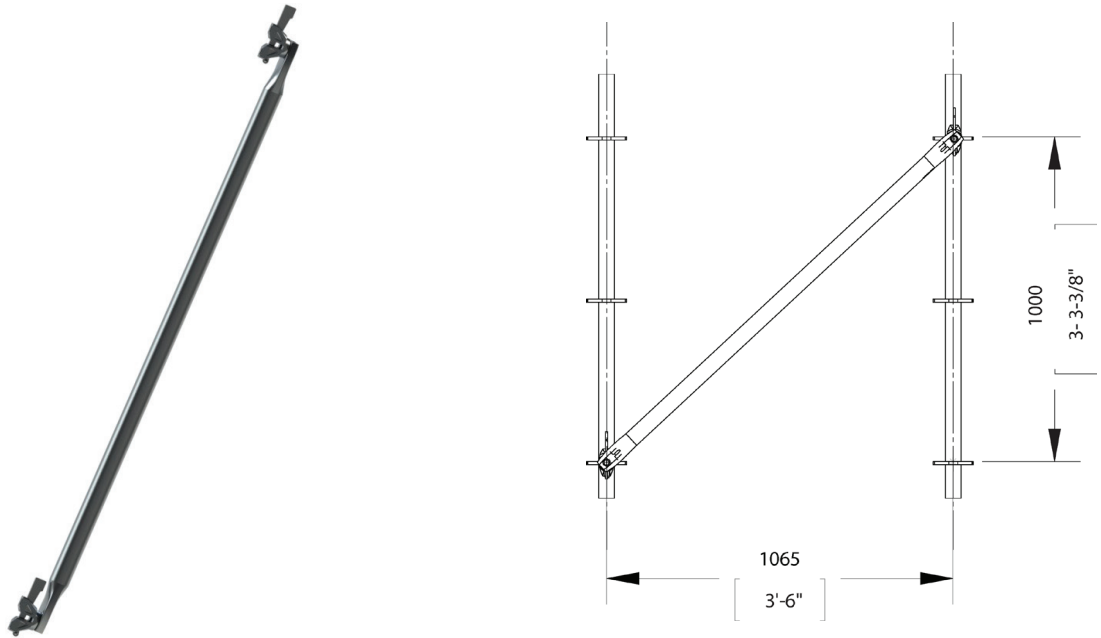
The Stair Stringer 3ft-6" (1.065) x 6ft-6" (2.0m) and the 7ft (2.13) x 6ft-6" (2.0m) is designed as the diagonal members of the stair system and provide the connection points for the stair treads.



STAIR TREAD									
PRODUCT				WIDTH		WEIGHT		PACKAGING	
CODE	REF. NO.	DESCRIPTION	METERS	FEET	KG	LBS	QTY	TYPE	
15.02.081.00	RSST32	Stair Tread	0.81	32"	9.94	21.86	36	CAGE	

HANDRAIL FOR STEEL STAIR SYSTEM

The Handrail for steel Stair System 2.13m (7ft) x 6ft-6in (2.0m) attaches to the Standards at the top and bottom on the outside and inside of each stair flight. The end connection have been specifically designed to avoid hand pinch points.



HANDRAIL FOR STEEL STAIR SYSTEM

PRODUCT		LENGTH		WEIGHT		PACKAGING		
CODE	REF. NO.	DESCRIPTION	METERS	FEET	KG	LBS	QTY	TYPE
15.05.106.00	RSSSG1065	Handrail for Steel Stair System	1.065	3'6"	5.09	11.20	150	RACK
15.05.213.00	RSSSG213	Handrail for Steel Stair System	2.13	7'0"	8.94	19.67	150	RACK

ACCESS & EGRESS

GUARDRAIL STANDARD “CRAZY LEG”

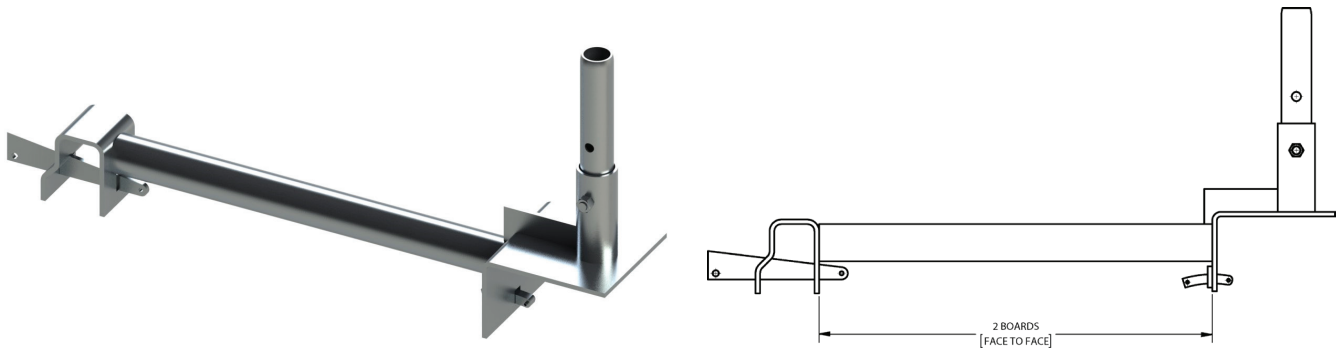
Crazy Legs are designed to serve as an intermediate guardrail to sit anywhere on the horizontal member of the deck level. The Crazy Leg also provides an opening for swing gates.



GUARDRAIL / “CRAZY LEG”									
PRODUCT				HEIGHT		WEIGHT		PACKAGING	
CODE	REF. NO.	DESCRIPTION	METERS	FEET	KG	LBS	QTY	TYPE	
01.31.163.00	VCL	Guardrail / Crazy Leg	1.6	5'3"	15.90	34.98	70	RACK	

LADDER ACCESS TRANSOM

The Ladder Access Transom is used for ladder access openings in working platforms. It supports the steel planks around the opening and provides a connection for the guardpost and swing gate.

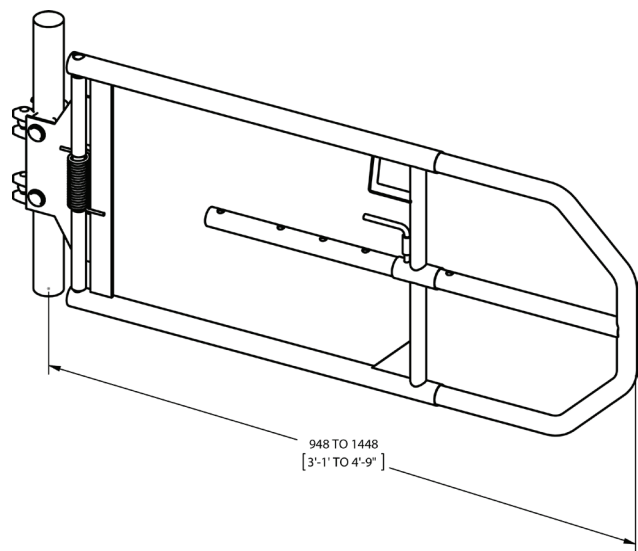


LADDER ACCESS TRANSOM									
PRODUCT				HEIGHT		WEIGHT		PACKAGING	
CODE	REF. NO.	DESCRIPTION	METERS	FEET	KG	LBS	QTY	TYPE	
01.22.065.00	RSLAT065	Ladder Access Transom	0.65	2'2"	5.80	12.76	45	RACK + INSERT	

ACCESS & EGRESS

ADJUSTABLE SWING GATE

Adjustable Swing Gates are designed as a safety gate providing the necessary fall prevention for safe scaffold access. Adjustable Swing Gates adjust from 948mm – 1488mm.



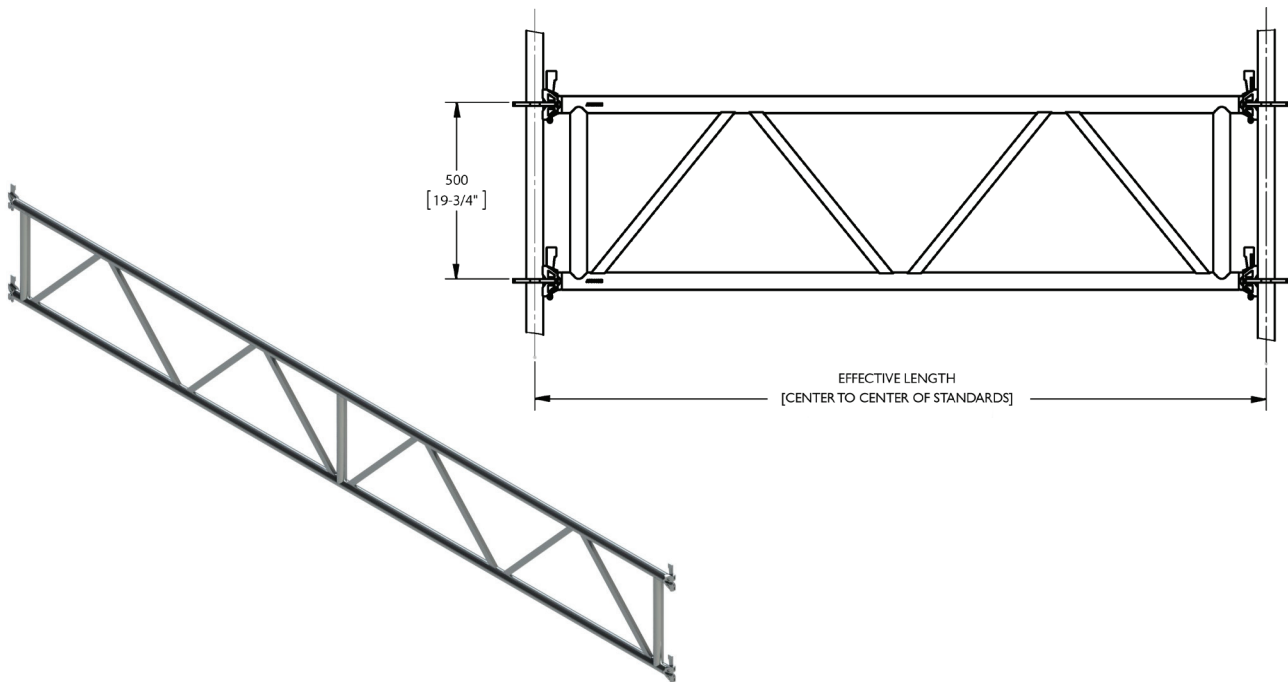
ADJUSTABLE SWING GATE									
PRODUCT				WIDTH		WEIGHT		PACKAGING	
CODE	REF. NO.	DESCRIPTION	METERS	FEET	KG	LBS	QTY	TYPE	
10.01.200.30	SWGADJ-23	Adjustable Swing Gate	1.0	3'3"	12.34	27.14	34	RACK	

***Product Available in a Nut Size of 21mm (UK), 22mm (N. America) and 23mm (AUS)*

GIRDERS

LATTICE GIRDER, NO SPIGOT 500mm

Lattice girders are horizontal members of Ringlock scaffolding that allow for scaffolding over large spans or gaps of 14' – 28' / 4.26m to 8.52m.

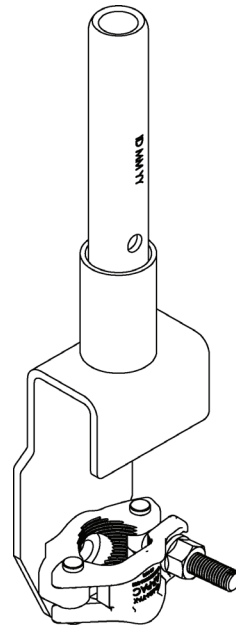


LATTICE GIRDER, NO SPIGOT 500MM

PRODUCT		DESCRIPTION	NOMINAL LENGTH		WEIGHT		PACKAGING	
CODE	REF. NO.		METERS	FEET	KG	LBS	QTY	TYPE
01.16.426.00	RSLG426	Lattice Girder, No Spigot 500mm	4.26	14'	50.74	111.63	10	BUNDLE
01.16.517.00	RSLG517	Lattice Girder, No Spigot 500mm	5.17	17'	66.89	147.16	10	BUNDLE
01.16.639.00	RSLG639	Lattice Girder, No Spigot 500mm	6.39	21'	74.74	164.43	10	BUNDLE
01.16.852.00	RSLG852	Lattice Girder, No Spigot 500mm	8.52	28'	98.76	217.28	10	BUNDLE

SPIGOT ADAPTER CLAMP FOR GIRDERS

The Lattice Girder Spigot Adapter Clamp is used to attach standards to the top chord tubes of Lattice Girders. It incorporates the same spigot tube as AT-PAC Standards, with a hole for a locking pin.



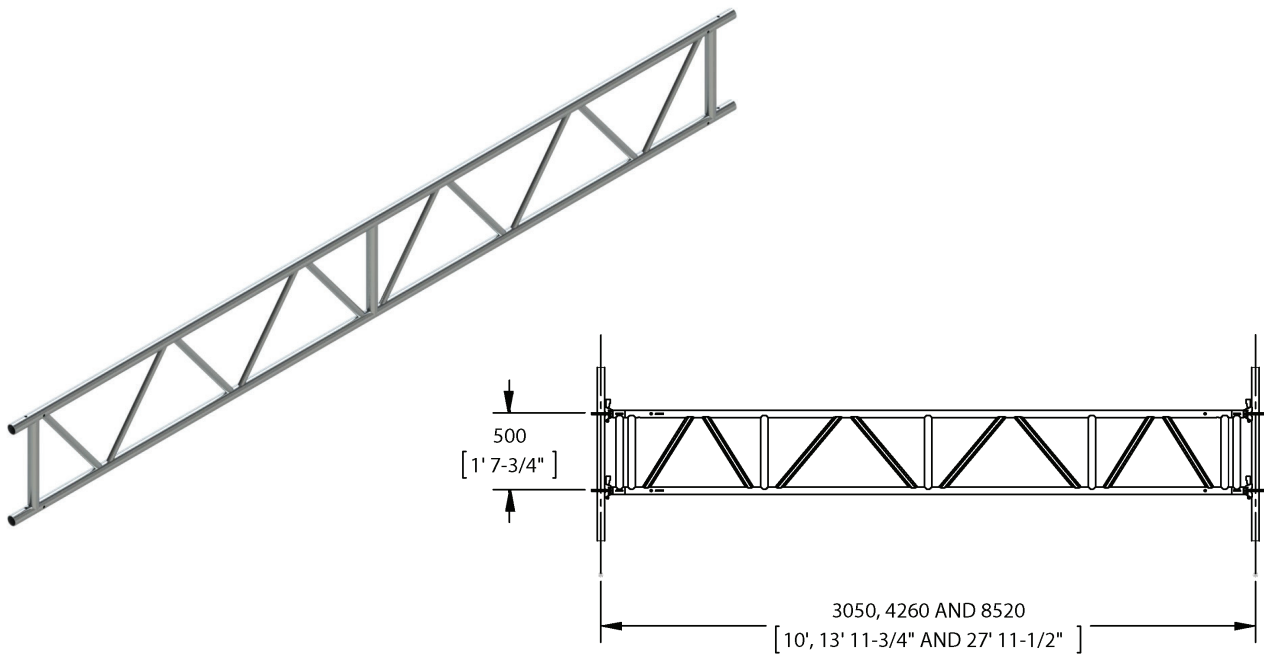
LATTICE GIRDER SPIGOT ADAPTER CLAMP

PRODUCT			HEIGHT		WEIGHT		PACKAGING		
CODE	REF. NO.	DESCRIPTION	METERS	FEET	KG	LBS	QTY	TYPE	
05.08.200.30	RSLGSAC-23	Girder Spigot Adap. Clamp	0.361	2"	1.80	3.96	500	RACK + INSERT	

GIRDERS

ALUMINUM LATTICE GIRDER/BEAM

The Aluminum Lattice Girder is an aluminum version of the Steel Lattice Girder and can be integrated within the Ringlock system via the use of Steel Adaptors. Aluminum Lattice Girder can be used to bridge large spans using proprietary AT-PAC components.

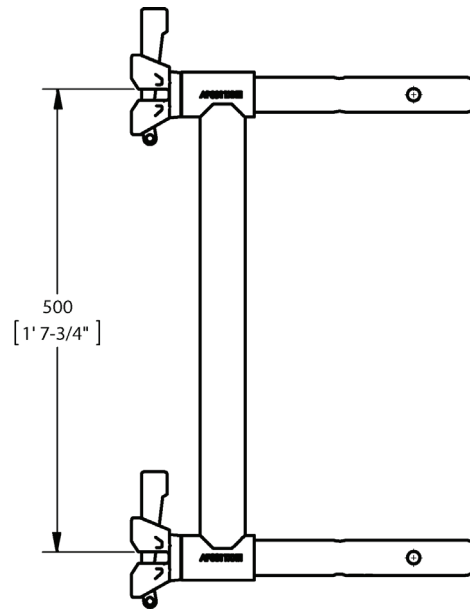


ALUMINUM LATTICE GIRDER/BEAM

PRODUCT		DESCRIPTION	NOMINAL LENGTH		WEIGHT		PACKAGING		
CODE	REF. NO.		METERS	FEET	KG	LBS	QTY	TYPE	
20.03.305.30	N/A	Aluminum Lattice Girder/Beam	3.05	10'	15.70	34.54	20	RACK	
20.03.426.30	N/A	Aluminum Lattice Girder/Beam	4.26	14'	21.88	48.13	20	RACK	
20.03.639.30	N/A	Aluminum Lattice Girder/Beam	6.39	21'	33.08	72.77	20	BUNDLE	
20.03.852.30	N/A	Aluminum Lattice Girder/Beam	8.52	28'	44.28	97.41	20	BUNDLE	

ALUMINUM LATTICE BEAM GIRDER ADAPTER

The Girder Adapter connects to each end of the Aluminium Lattice Girder via two horizontal Spigots spaced at 0.5m centres and then secured using typical Spigot Bolts. This allows the Aluminium Lattice Girder to be seamlessly integrated within the Ringlock System, similar to that of the Steel Lattice Girder.



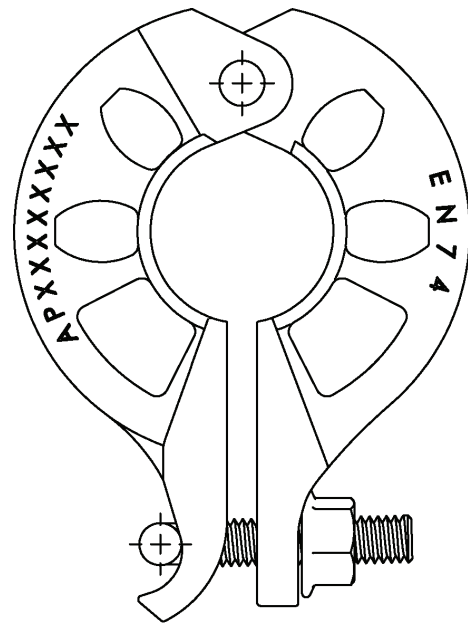
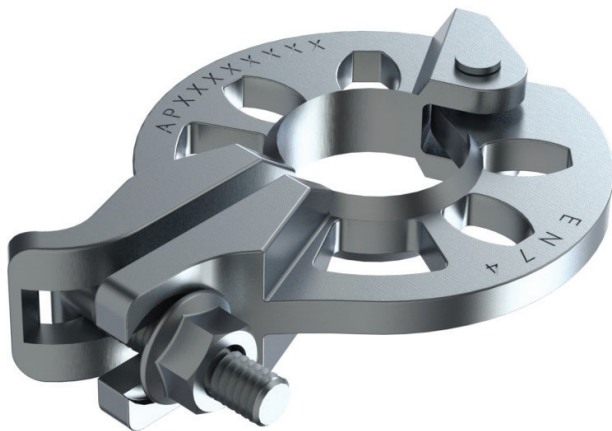
ALUMINUM LATTICE GIRDER ADAPTER

PRODUCT			LENGTH		WEIGHT		PACKAGING		
CODE	REF. NO.	DESCRIPTION	METERS	FEET	KG	LBS	QTY	TYPE	
20.04.000.00	N/A	Aluminum Lattice Girder Adapter	0.50	1'7"	5.34	11.75	60	RACK + INSERT	

ACCESSORIES

ROSETTE CLAMP

The Rosette Clamp is used to add a rosette at any point on a vertical standard or tube. The Rosette Clamp allows up to six connection points where ledgers or diagonal braces can be connected to it.



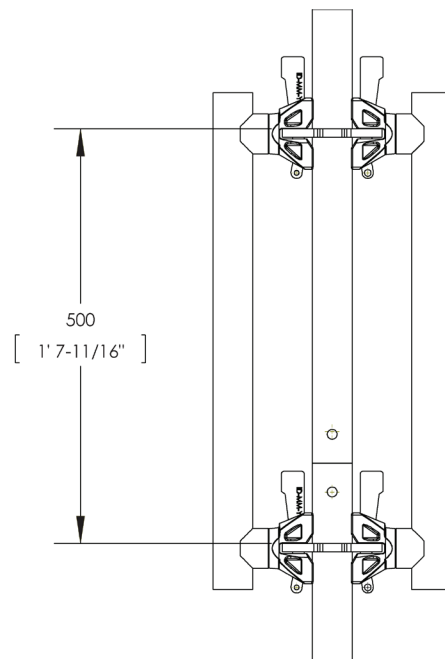
ROSETTE CLAMP							
PRODUCT			WEIGHT		PACKAGING		
CODE	REF. NO.	DESCRIPTION	KG	LBS	QTY	TYPE	
01.30.000.30	RSRCL-23	Rosette Clamp, 23mm	1.20	2.64	750	RACK + INSERT	

***Product Available in a Nut Size of 21mm (UK), 22mm (7/8" N. America) and 23mm (AUS)*

ACCESSORIES

LEG LOCK (SUSPENDED SCAFFOLD)

Leg Locks are designed to attach to the bottom rosette of the top standard to the top rosette of the bottom standard. This joins the Standards together.



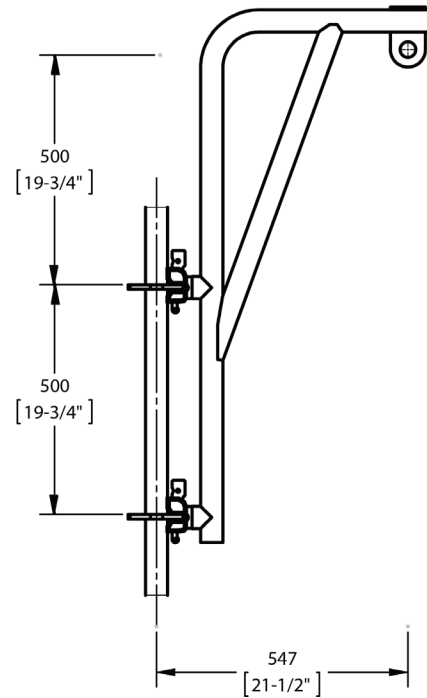
LEG LOCK (SUSPENDED SCAFFOLD)

PRODUCT		LENGTH		WEIGHT		PACKAGING		
CODE	REF. NO.	DESCRIPTION	METERS	FEET	KG	LBS	QTY	TYPE
01.28.000.00	LL5	Leg Lock	0.60	1'12"	4.02	8.84	268	RACK

ACCESSORIES

DAVIT ARM

The Davit Arm is designed to support a Gin Wheel for lifting light loads, or serve as tie off point for the attachment of retractable shock absorbing personal fall arrest system in accordance with the AT-PAC tie off Policy and Procedures. (See Technical Manual)

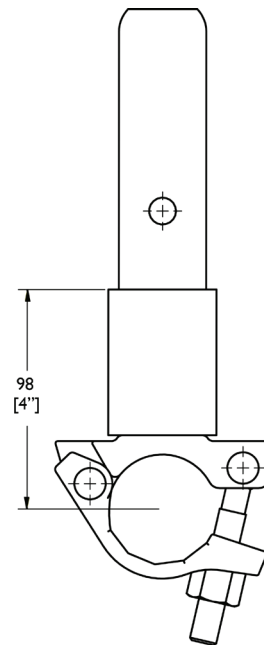


DAVIT ARM									
PRODUCT				HEIGHT		WEIGHT		PACKAGING	
CODE	REF. NO.	DESCRIPTION	METERS	FEET	KG	LBS	QTY	TYPE	
01.29.000.00	RSDA42	Davit Arm	1.14	3'9"	10.82	23.80	48	RACK	

ACCESSORIES

SPIGOT ADAPTER CLAMP

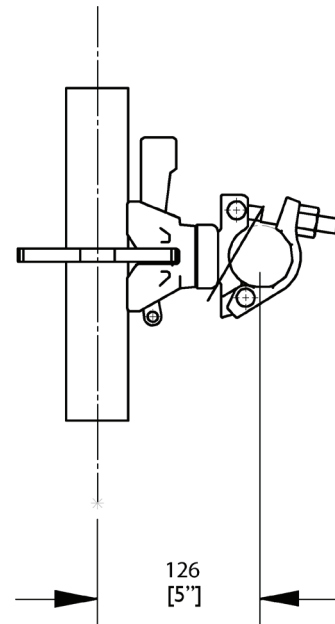
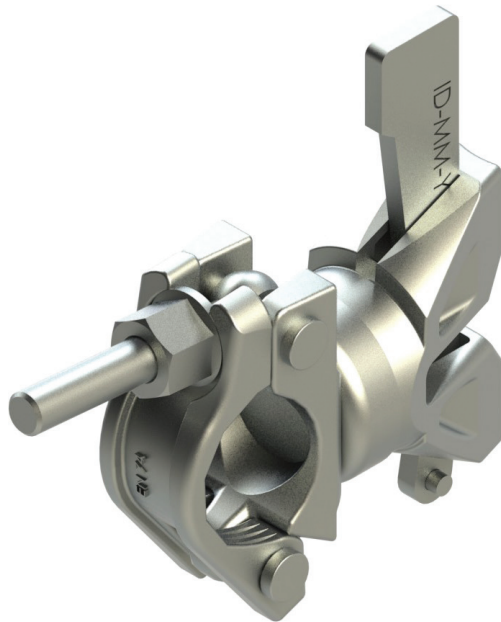
The Spigot Adaptor Clamp allows the connection of Ringlock standards at intermediate locations along the length of O-Type Ledgers, Truss Ledgers and Girders. Care must be taken to ensure that the allowable safe working concentrated load capacities of these members are not exceeded.



SPIGOT ADAPTER CLAMP							
PRODUCT				WEIGHT		PACKAGING	
CODE	REF. NO.	DESCRIPTION	KG	LBS	QTY	TYPE	
05.03.200.30	RSLGSAC-23	Spigot Adaptor Clamp	1.57	3.45	650	RACK + INSERT	

SWIVEL ADAPTER CLAMP

Swivel Adapter Clamps are designed to easily join steel or aluminum tube directly to a rosette of the Ringlock scaffold with a variety of angles.

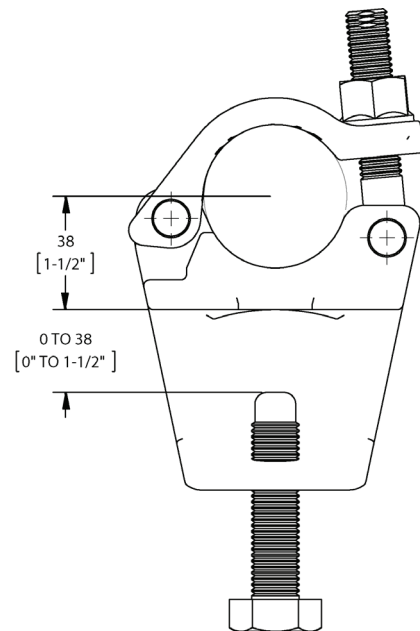
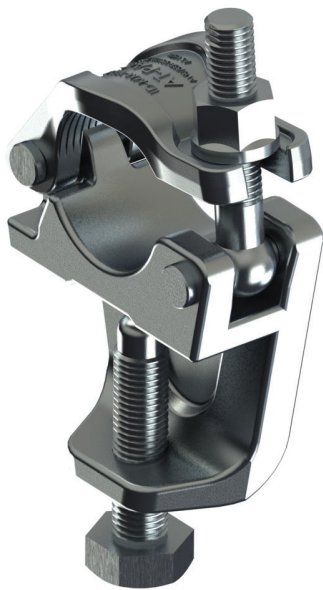


SWIVEL ADAPTER CLAMP							
PRODUCT			WEIGHT		PACKAGING		
CODE	REF. NO.	DESCRIPTION	KG	LBS	QTY	TYPE	
05.02.200.30	TCSWAC-23	Swivel Adaptor Clamp	1.77	3.89	650	RACK + INSERT	

ACCESSORIES

BEAM CLAMP RIGID

Rigid Beam Clamps are designed to tie into or off to structural steel beams or for a more specialized design by hanging or suspending scaffold, creating 90 degree angles.

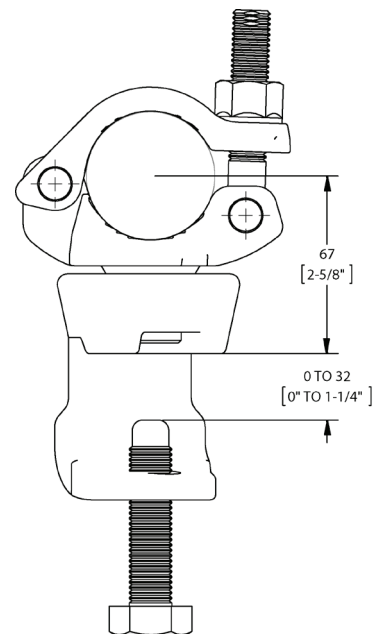


BEAM CLAMP RIGID							
PRODUCT				WEIGHT		PACKAGING	
CODE	REF. NO	DESCRIPTION	KG	LBS	QTY	TYPE	
04.03.200.10	TCBCDF-23	Beam Clamp Rigid	1.52	3.34	500	RACK + INSERT	

ACCESSORIES

BEAM CLAMP SWIVEL

Swivel Beam Clamps are designed to tie into or off to structural steel beams creating a variety of angles.

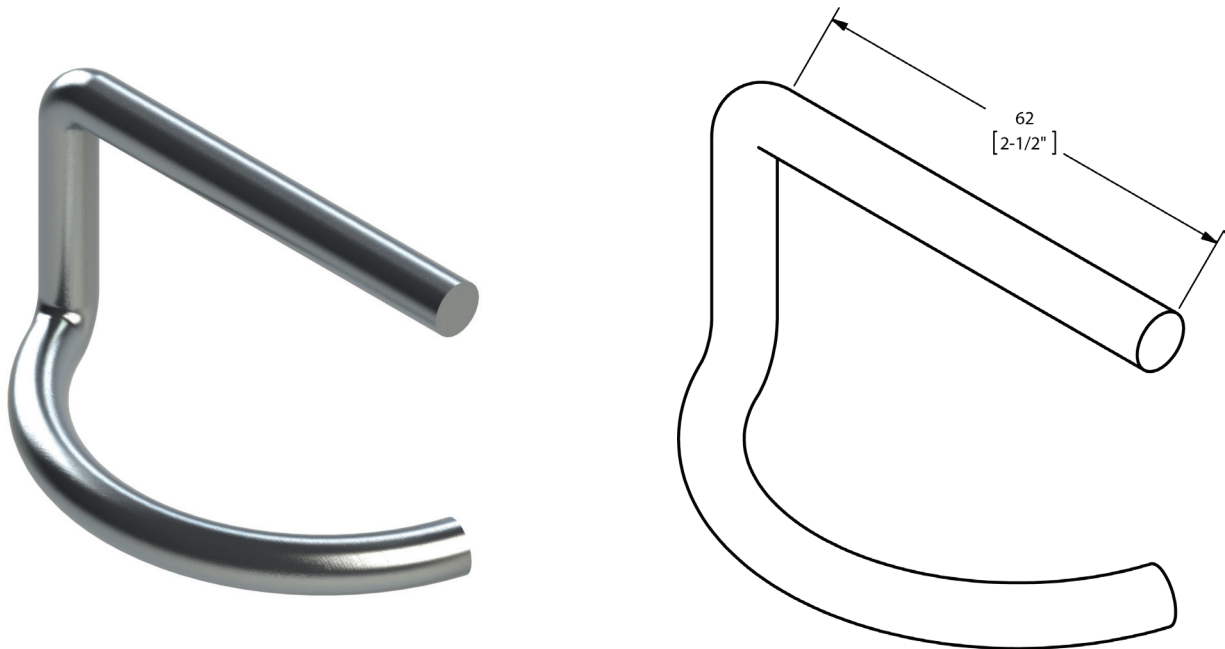


BEAM CLAMP SWIVEL							
PRODUCT				WEIGHT		PACKAGING	
CODE	REF. NO	DESCRIPTION	KG	LBS	QTY	TYPE	
04.04.200.30	TCBCS-23	Beam Clamp Swivel	1.66	3.65	500	RACK + INSERT	

ACCESSORIES

PIG TAIL PIN

Pig Tail locking pins are designed to lock the top and bottom standard together.

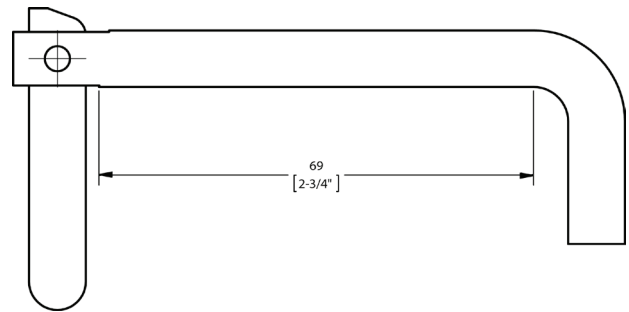


PIG TAIL PIN							
PRODUCT			WEIGHT		PACKAGING		
CODE	REF. NO.	DESCRIPTION	KG	LBS	QTY	TYPE	
35.02.000.00	SPTP	Pig Tail Pin	0.06	0.132	500	WOOD BOX	

ACCESSORIES

TOGGLE PIN

Toggle locking pins are designed to lock the top and bottom standard together.

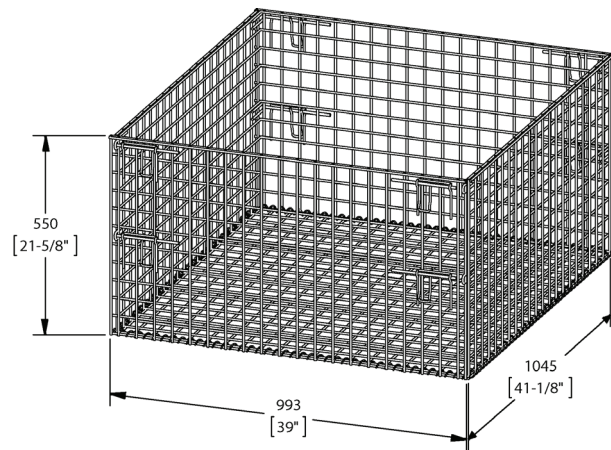


TOGGLE PIN							
PRODUCT				WEIGHT		PACKAGING	
	CODE	REF. NO.	DESCRIPTION	KG	LBS	QTY	TYPE
	35.03.000.00	STP	Toggle Pin	0.07	0.154	1000	WOOD BOX

ACCESSORIES

SCAFFOLD CAGE INSERT

The Scaffold Cage Insert is designed to attach into the storage rack creating the Basket for storage of smaller scaffold items such as clamps and accessories.

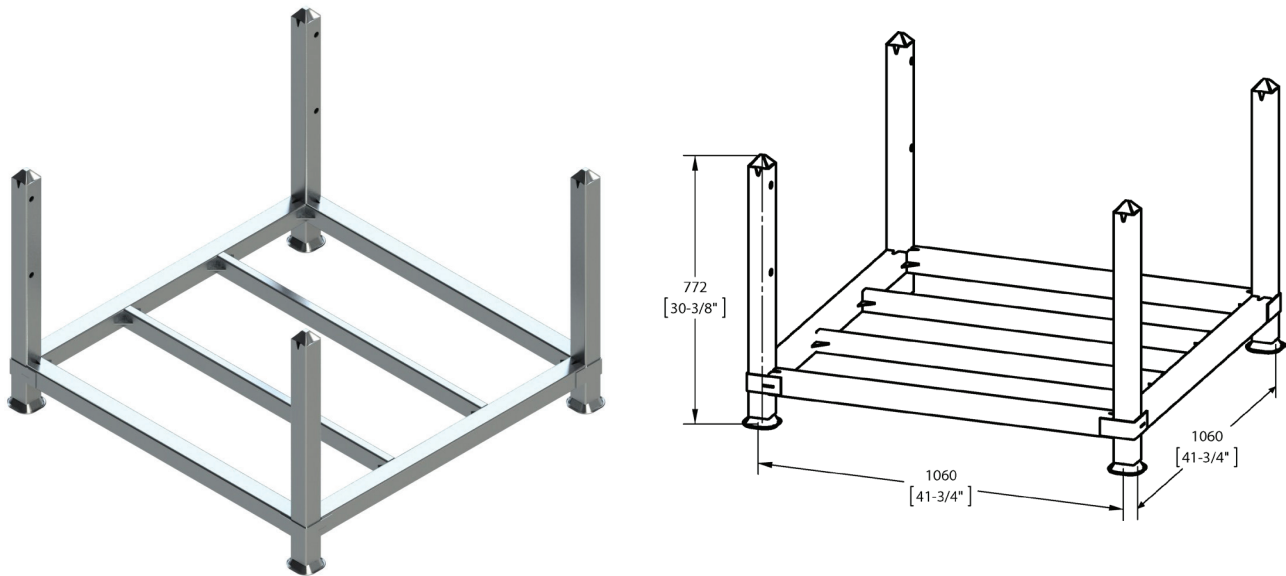


SCAFFOLD INSERT									
PRODUCT			HEIGHT/DEPTH		WEIGHT		PACKAGING		
CODE	REF. NO.	DESCRIPTION	METERS	FEET	KG	LBS	QTY	TYPE	
99.01.000.00	CSCI	Scaffold Cage Insert	0.56 x 1.1	22" x 42"	29.00	63.8	1	INSERT	

ACCESSORIES

SCAFFOLD RACK

The Scaffold Rack is designed for storage of larger items such as standards, ledgers, steel plank, etc.



SCAFFOLD RACK

PRODUCT			HEIGHT/DEPTH		WEIGHT		PACKAGING	
CODE	REF. NO.	DESCRIPTION	METERS	FEET	KG	LBS	QTY	TYPE
99.02.000.00	CSR	Scaffold Rack	0.78 x 1.1	31" x 42"	48.05	105.71	1	RACK

CERTIFICATIONS



Department of
Justice and Attorney-General

Our Ref: Q25483

4 July 2012

Mr Sam Hyett
Atpac Group Pty Ltd
Unit 2
23 Main Street
VARSITY LAKES QLD 4227

Dear Mr Hyett

This is to confirm that a plant design registration number has been issued as per details listed below:

Plant Design Registration Number:	Q25483
Date of Registration:	29 November 2010
Description:	Prefabricated Scaffold
Model:	Ring Lock
Manufacturer:	Atpac Group Pty Ltd
Technical Standard:	AS 1576.3

Please note, this plant design registration number can only be used for this specific model listed.

Yours sincerely

A handwritten signature in blue ink, appearing to read "Michael Chan".

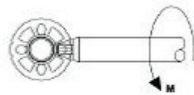
MICHAEL CHAN
Chief Safety Engineer
Workplace Health and Safety Queensland

Centro Shopping Centre, Level 4, 543 Lutwyche Road, LUTWYCHE, QLD 4030
PO Box 820, LUTWYCHE, QLD 4030, Telephone +61 7 3872 0586 Fax + 61 7 3247 0250
Website: www.safework.qld.gov.au
ABN 13 846 673 994

COMPONENT CAPACITIES - SAFE WORKING LOADS

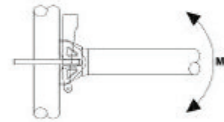
COMPONENT CAPACITIES- SAFE WORKING LOADS

When RINGLOCK components are used together with components of a compatible system, all safe working loads are to be limited to the system with the lowest capacity.
Rotational moment



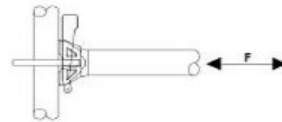
$M = \pm 0.39 \text{ kNm}$

Connection moment



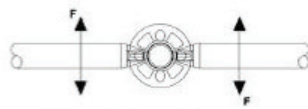
$M = \pm 1.05 \text{ kNm}$

Direct force



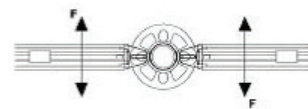
$F = \pm 23.9 \text{ kN}$

Horizontal force (O-type)



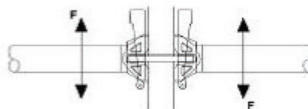
$F = \pm 10.80 \text{ kN}$

Horizontal force (U-type)



$F = \pm 3.95 \text{ kN}$

Vertical force



$F = \pm 18.5 \text{ kN}$

To accompany certificate number:
 5092-01-09-001-01 (page 2 of 2)

rdg engineering
 consulting engineers

DISCLAIMER

AT-PAC and its suppliers make no representations about the suitability, accuracy, currency or completeness of the information contained in this document for any purpose, including, without limitation, availability, safety data or terms of sale. Such information is provided 'as is' without warranties of any kind, all of which are hereby disclaimed. This includes express or implied warranties of merchantability, fitness for a particular purpose, and non-infringement.

In no event shall AT-PAC or its suppliers be liable for any special, indirect, consequential, or exemplary damages or any damages whatsoever resulting from loss of use, data or profits, whether in an action in contract or tort, arising out of or related to the use of information available from this document. Changes are periodically made to the information herein, and AT-PAC reserves the right to make improvements or changes to the content of this document at any time without notice.

Copyright © 2015 AT-PAC. All Rights Reserved. info@at-pac.com



AUSTRALIA CORPORATE OFFICE:

17 Fairbrother Street | Belmont | Western Australia | 6104
 Main: 61.8.9477.6986 | General Email: info@at-pac.com

GLOBAL CORPORATE OFFICE:
 United States
 10904 Crabapple Road | Roswell, GA | 30075
 Main: 678.505.3957

ADDITIONAL BRANCH OFFICES:

- | | | |
|---------------------|---------------------|--------------------------|
| Baton Rouge, LA USA | Houston, TX USA | Leeds, United Kingdom |
| Columbus, OH USA | Marietta, GA USA | Concepcion CL |
| Corona, CA USA | Toronto, ON Canada | Perth, Western Australia |
| | Edmonton, AB Canada | Brisbane, QLD Australia |